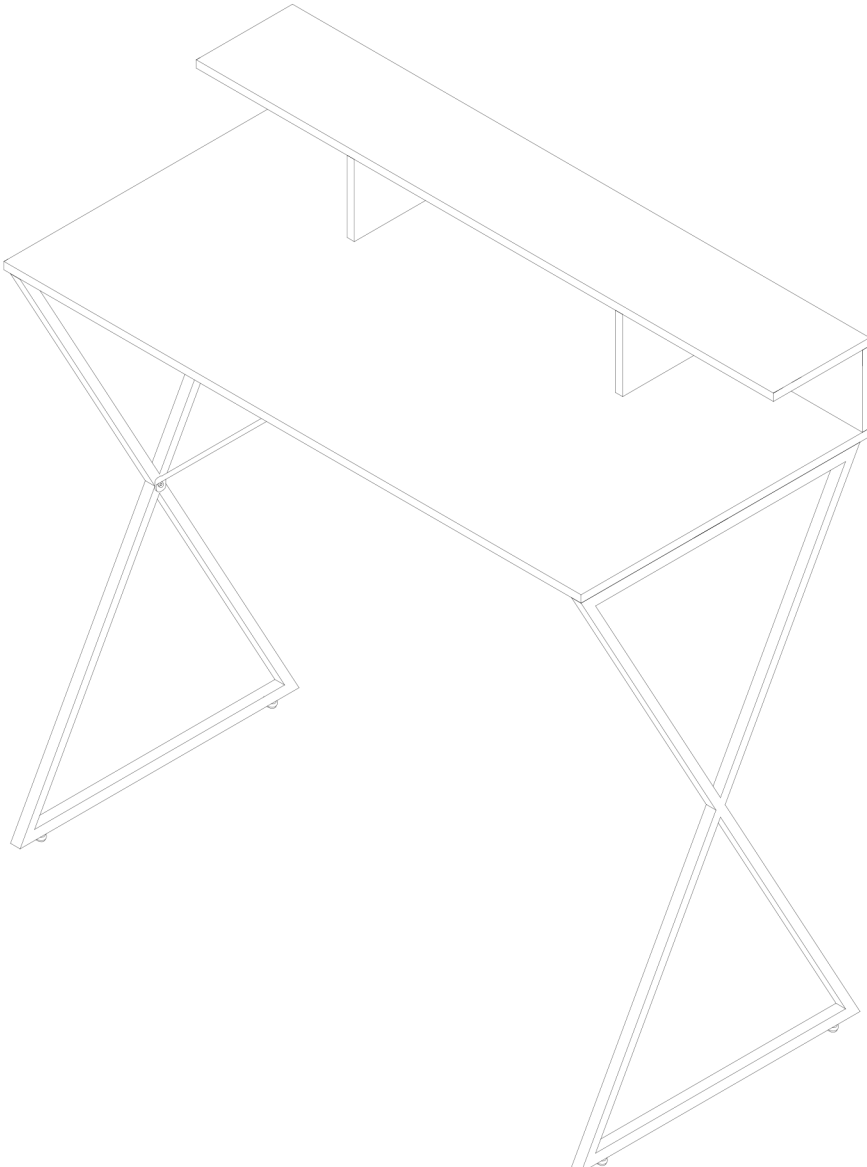


# 48" Computer Desk With Monitor Shelf & Storage Cubbies



# Assembly Instructions

\*\*\*DO NOT TIGHTEN SCREWS UNTIL COMPLETELY ASSEMBLED\*\*\*



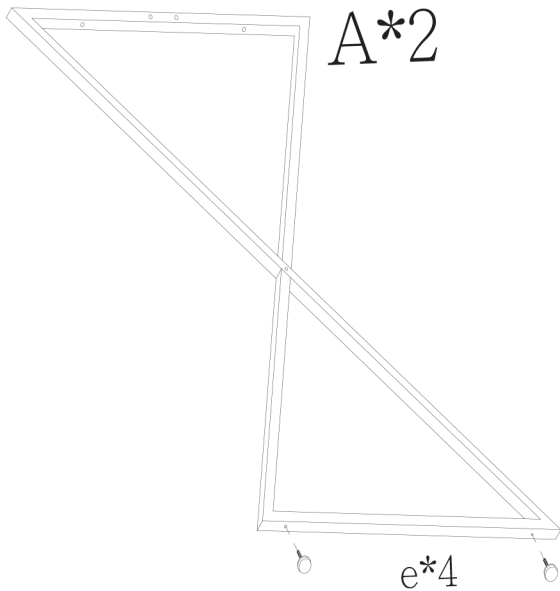
Please review the list below to ensure you have all your parts. If you are missing anything, contact us at (703) 688-3375 or customerservice@standsteady.com

Components									
	A*2	B*1	C*2	D*1					
Hardware									
	a*7	b*7	c*5	d*8	e*4	f*7	g*2	h*1	i*7

**Weight Capacity**

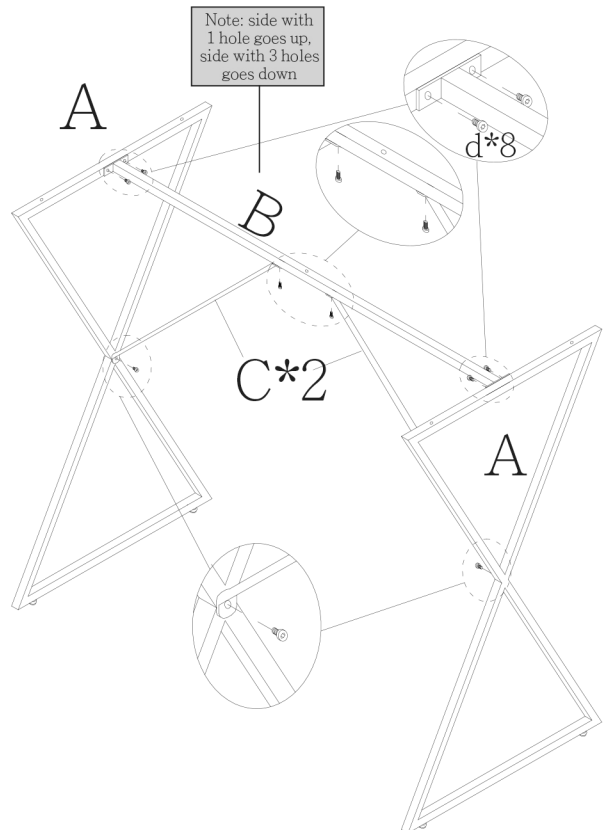
60 lbs. Do not overload.

1 Screw on feet (e\*4).

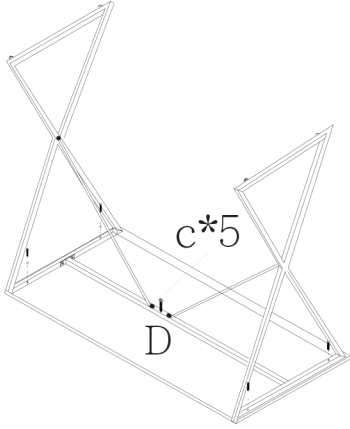


Note: feet go on side with only 2 holes

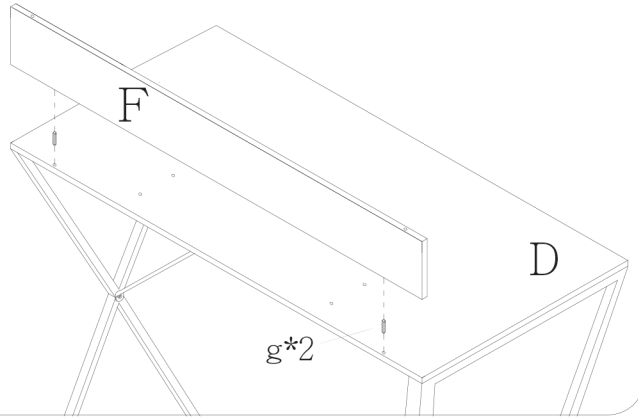
2 Attach support bars (B and C) to legs.



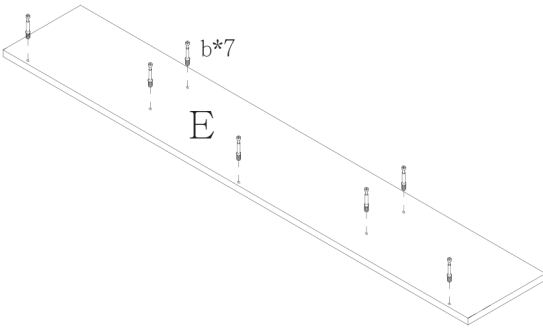
- 3 Turn desk frame and place on desk top (D).  
Secure using c\*5 screws and included hex key.



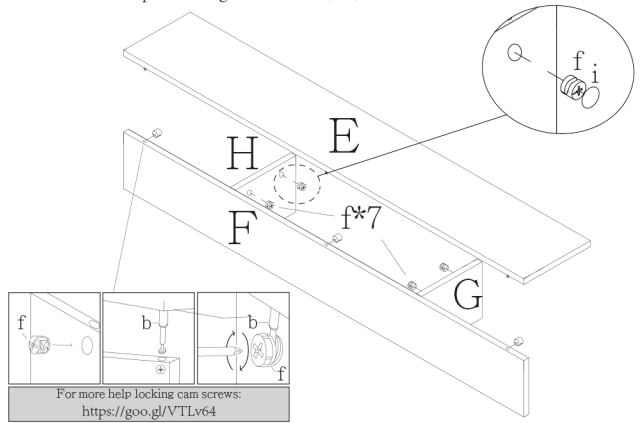
- 4 Flip desk upright.  
Attach shelf back (F) to desk using dowels (g\*2).



- 5 Screw b\*7 into holes on shelf top (E).  
Tighten using included screwdriver.



- 6 Attach side shelving (G and H) to shelf back (F).  
Attach shelf top (E) with screws facing down.  
Lock in place using cam screws (f\*7) and screwdriver.



- 7 Screw shelving unit to desktop using screw a\*7.

