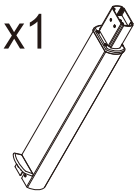

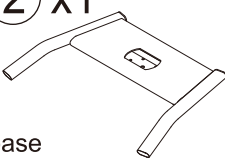
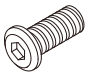
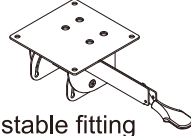

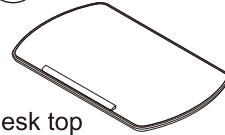

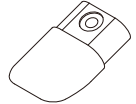







<p>1 x1</p>  <p>pillar</p>	<p>A x4</p>  <p>washers</p>
<p>2 x1</p>  <p>base</p>	<p>B x2</p>  <p>screws ( M8x19mm )</p>
<p>3 x1</p>  <p>adjustable fitting</p>	<p>C x10</p>  <p>screws ( M5x12mm )</p>
<p>4 x1</p>  <p>desk top</p>	<p>D x4</p>  <p>screws ( 1/4"x15mm )</p>
<p>5 x2</p>  <p>outer plug for legs</p>	<p>E x1</p>  <p>spanner</p>
<p>6 x2</p>  <p>adjustable pads</p>	<p>F x1</p>  <p>hex key ( 4mm )</p>
<p>7 x2</p>  <p>casters</p>	<p>G x1</p>  <p>hex key ( 5mm )</p>

