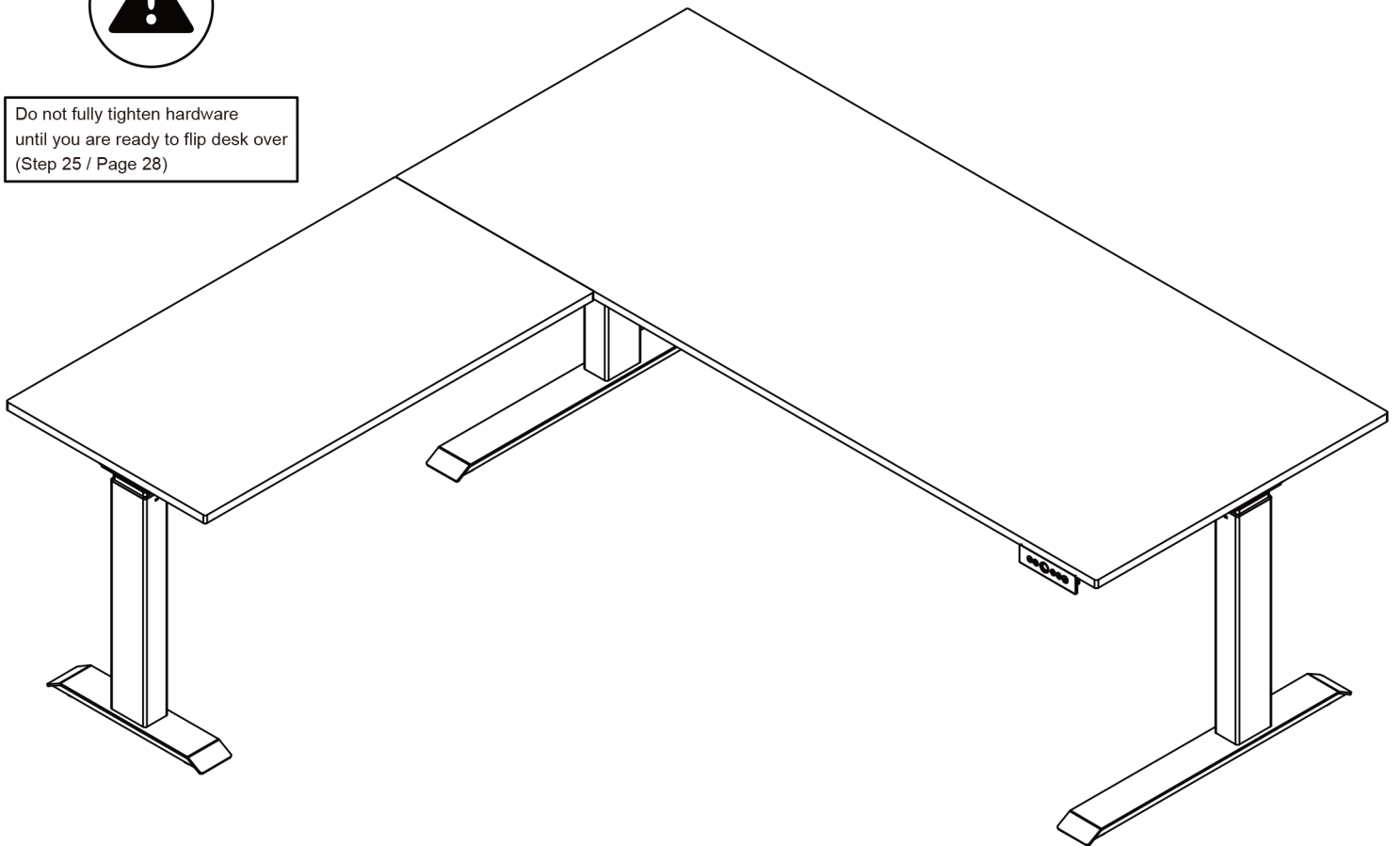




# STAND UP desk store



Do not fully tighten hardware  
until you are ready to flip desk over  
(Step 25 / Page 28)



Prefer video instructions?  
View our video page!



Questions or concerns?  
Contact us directly!



1-855-843-7920

[CustomerService@StandUpDeskStore.com](mailto:CustomerService@StandUpDeskStore.com)

[standupdeskstore.com/electric-desk-assembly-videos](http://standupdeskstore.com/electric-desk-assembly-videos)

Easy Assembly / Triple Stage / Dual Motor / Electric / L Shaped

# SPECIFICATIONS

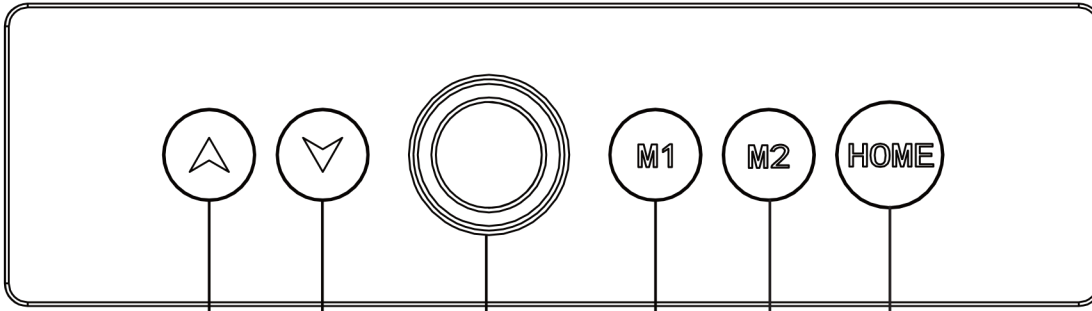
**Height range:** 640-1290 mm / 25.2 x 50.8 in

**Weight capacity:** 100 kg / 220 lbs

**Features:** Easy assembly, triple stage, dual motor, C-frame, electric, L-shaped, two memory position handset + home, expandable frame

**Notes:** Desktops and casters sold separately, images may vary from purchased desk

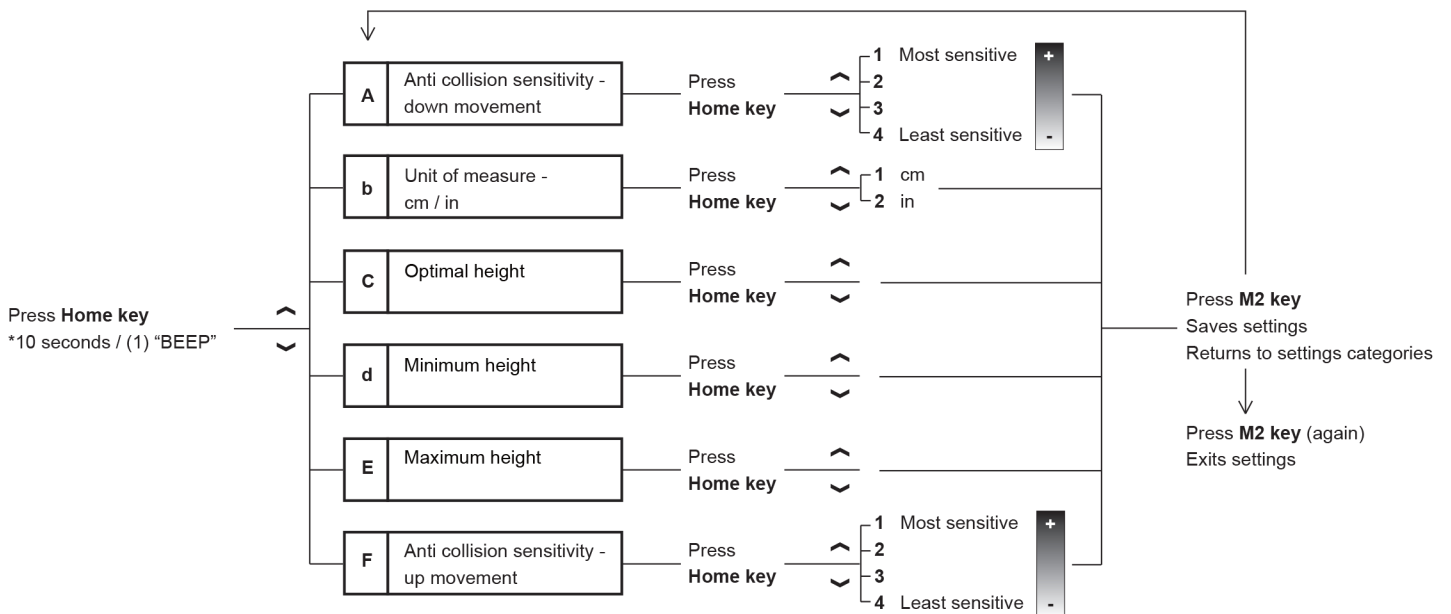
# HANDSET



Up key (push and hold)  
 Down key (push and hold)  
 Display screen (640mm - 1290mm)  
 M1: First memory position (press and hold\* to save)  
 M2: Second memory position (press and hold\* to save)  
 HOME: "Optimal height" memory position (will go to 720mm)

\*5 seconds / (1) "BEEP"

# SETTINGS



# TROUBLESHOOTING

## MANUAL RESET

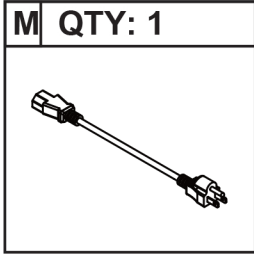
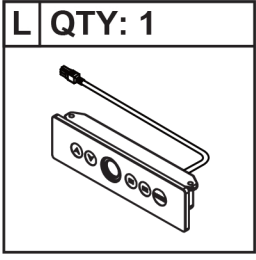
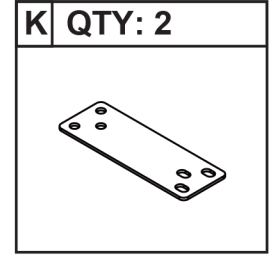
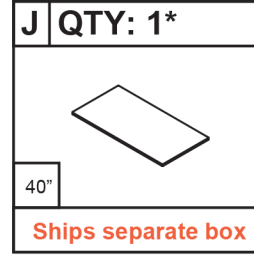
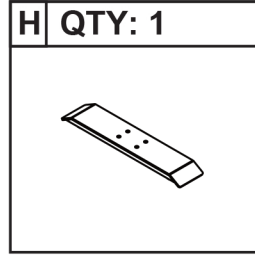
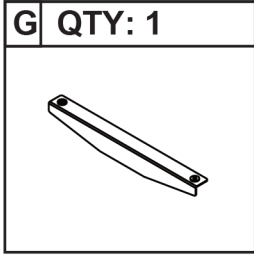
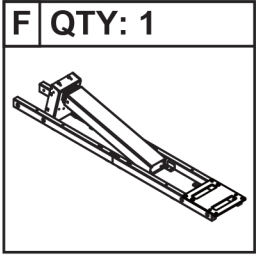
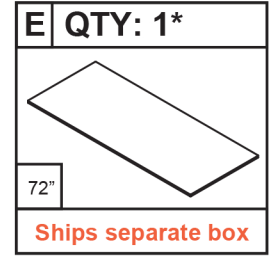
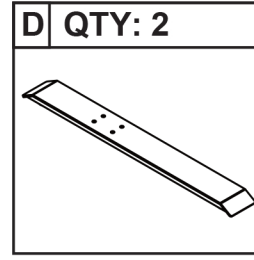
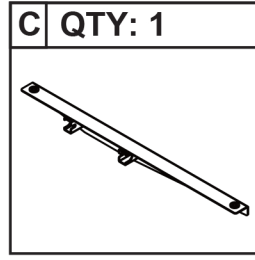
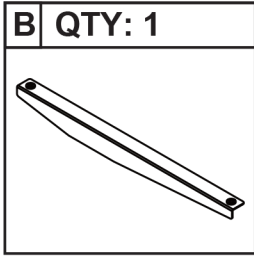
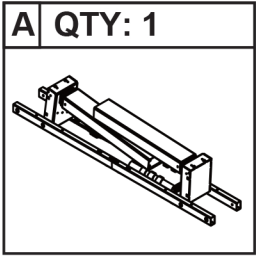
1. Make sure all cables are connected.
2. Retry handset.

If issue continues...

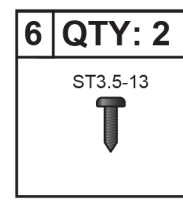
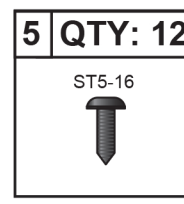
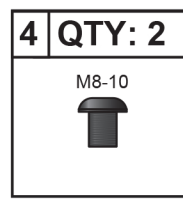
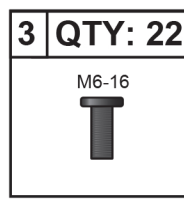
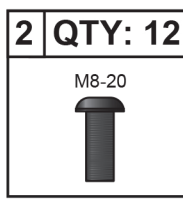
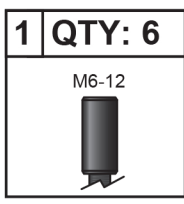
1. Disconnect power cable for 3 minutes.
2. Reconnect power cable.
3. Retry handset.

ERROR	CAUSE	SOLUTION
ER1	Motor issue	Disconnect power cable for 3 minutes. Reconnect power cable. If error continues, motor may be defective.
ER2	Synchronization issue beyond 15 mm	Disconnect power cable for 3 minutes. Reconnect power cable. If <b>RST</b> - push and hold <b>Down key</b> until lowest height.
ER3	Cable issue	Make sure all motor cables are connected. Disconnect power cable for 3 minutes. Reconnect power cable.
ER4	Communication issue	Make sure all handset & controller cables are connected. Disconnect power cable for 3 minutes. Reconnect power cable.
ER5	Load above 180 kg / 397 lbs	Lighten load. Disconnect power cable for 3 minutes. Reconnect power cable.
Hot	Continuous use beyond 2 minutes	Automatic recovery after 5 minutes. If not, disconnect power cable for 3 minutes. Reconnect power cable.

# PARTS INCLUDED NOT TO SCALE

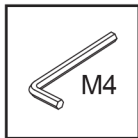
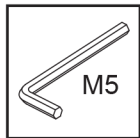


# HARDWARE INCLUDED NOT TO SCALE, COLOR MAY VARY



# TOOLS INCLUDED

# TOOLS REQUIRED

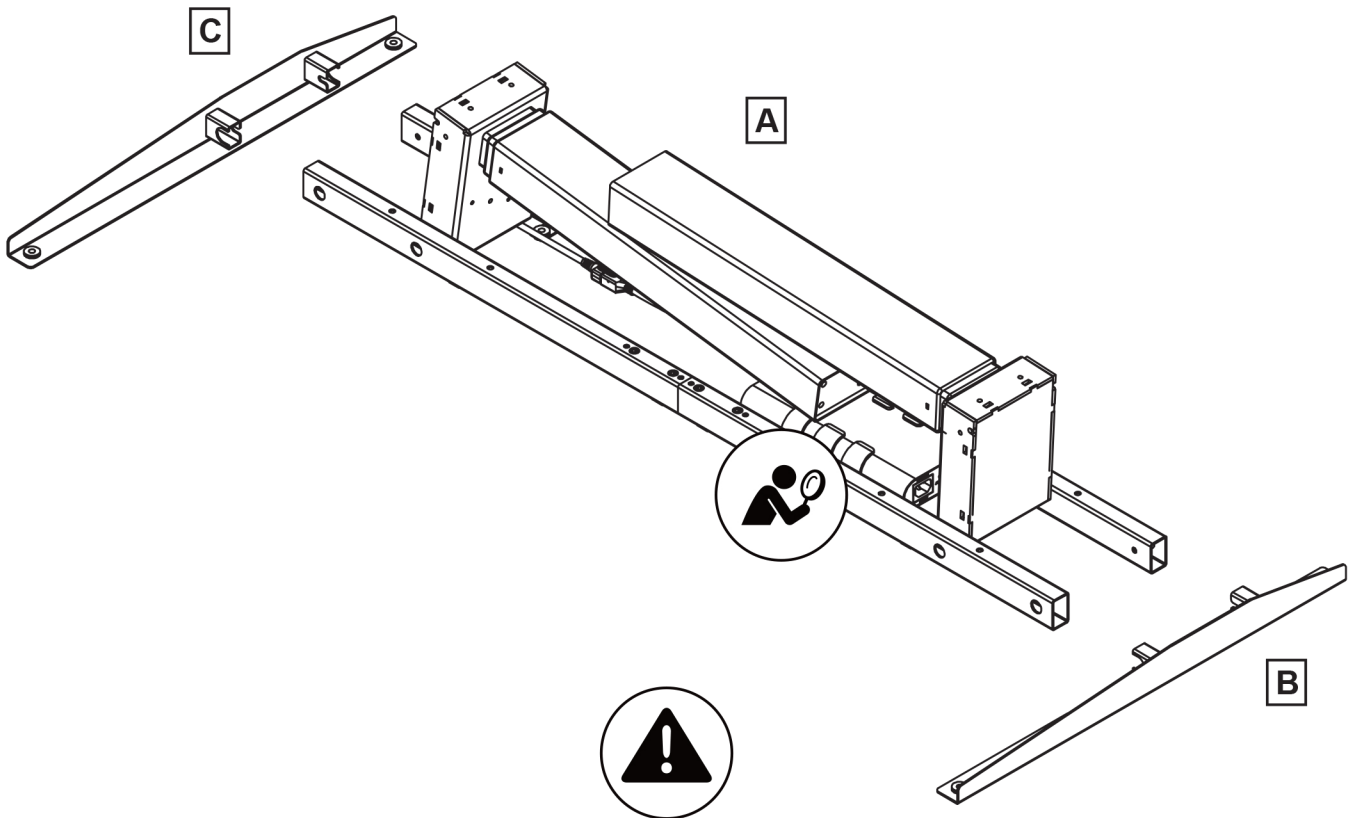
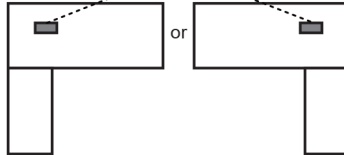




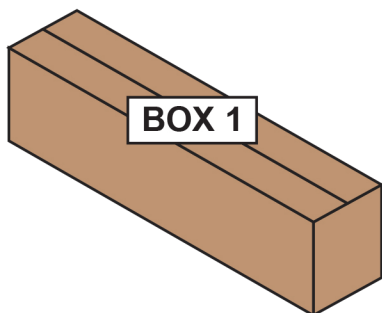
1



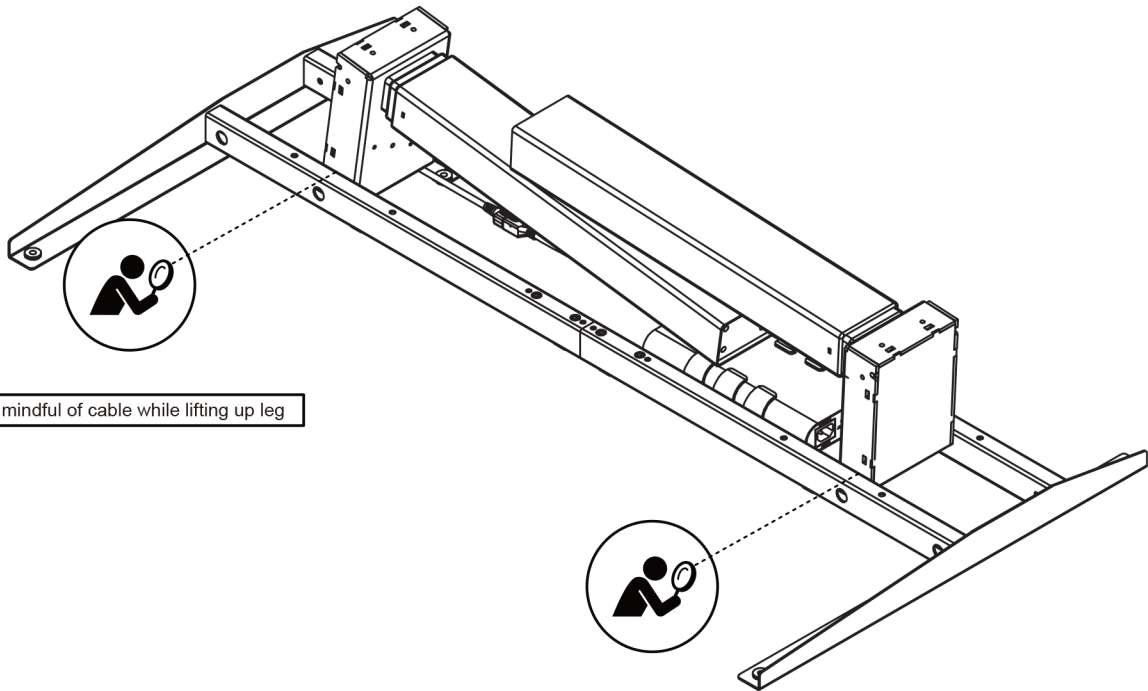
Silver controller box must be on the same side of the desk that the L extension will be on



Do not fully tighten hardware until you are ready to flip desk over (Step 25 / Page 28)



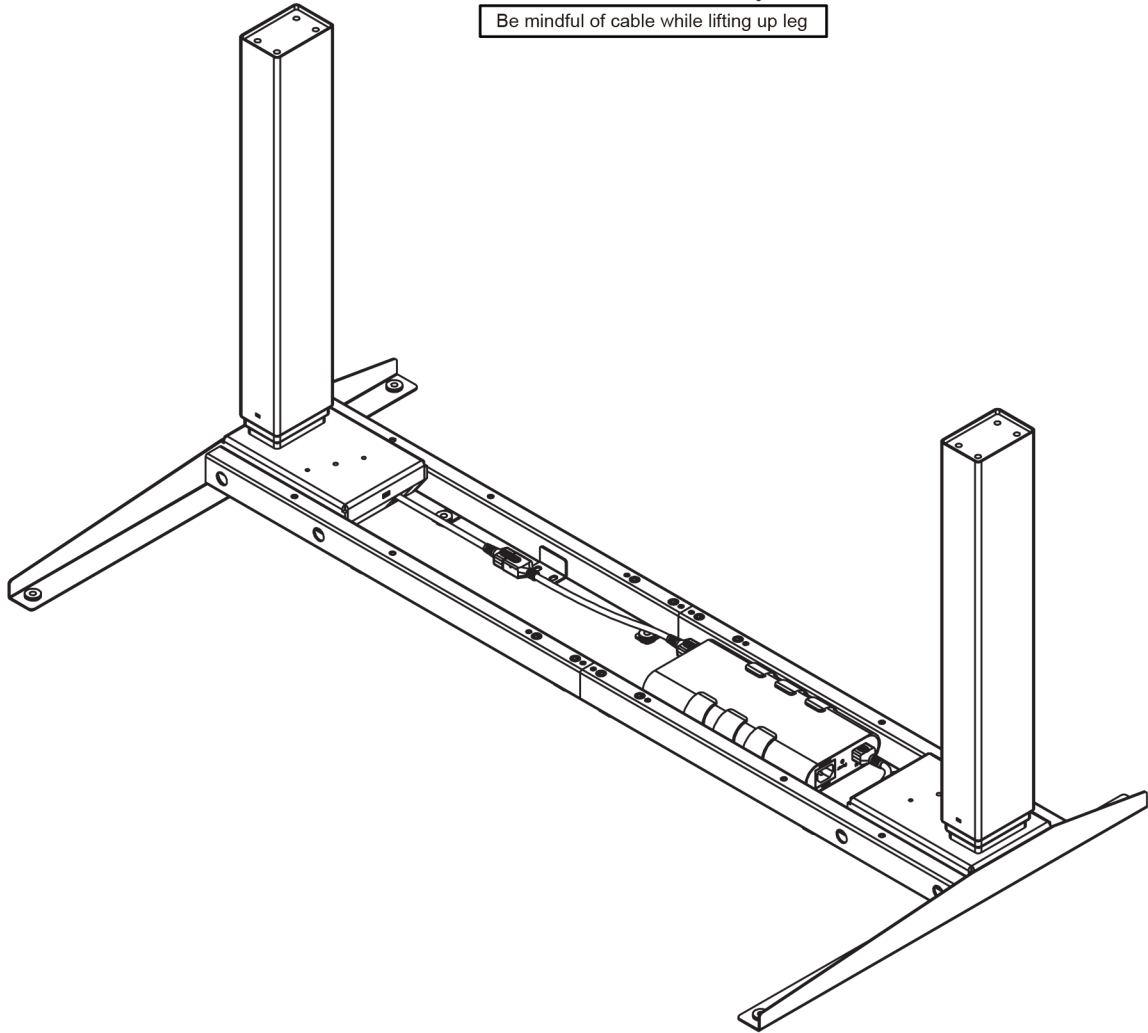
2



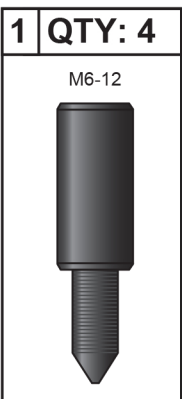
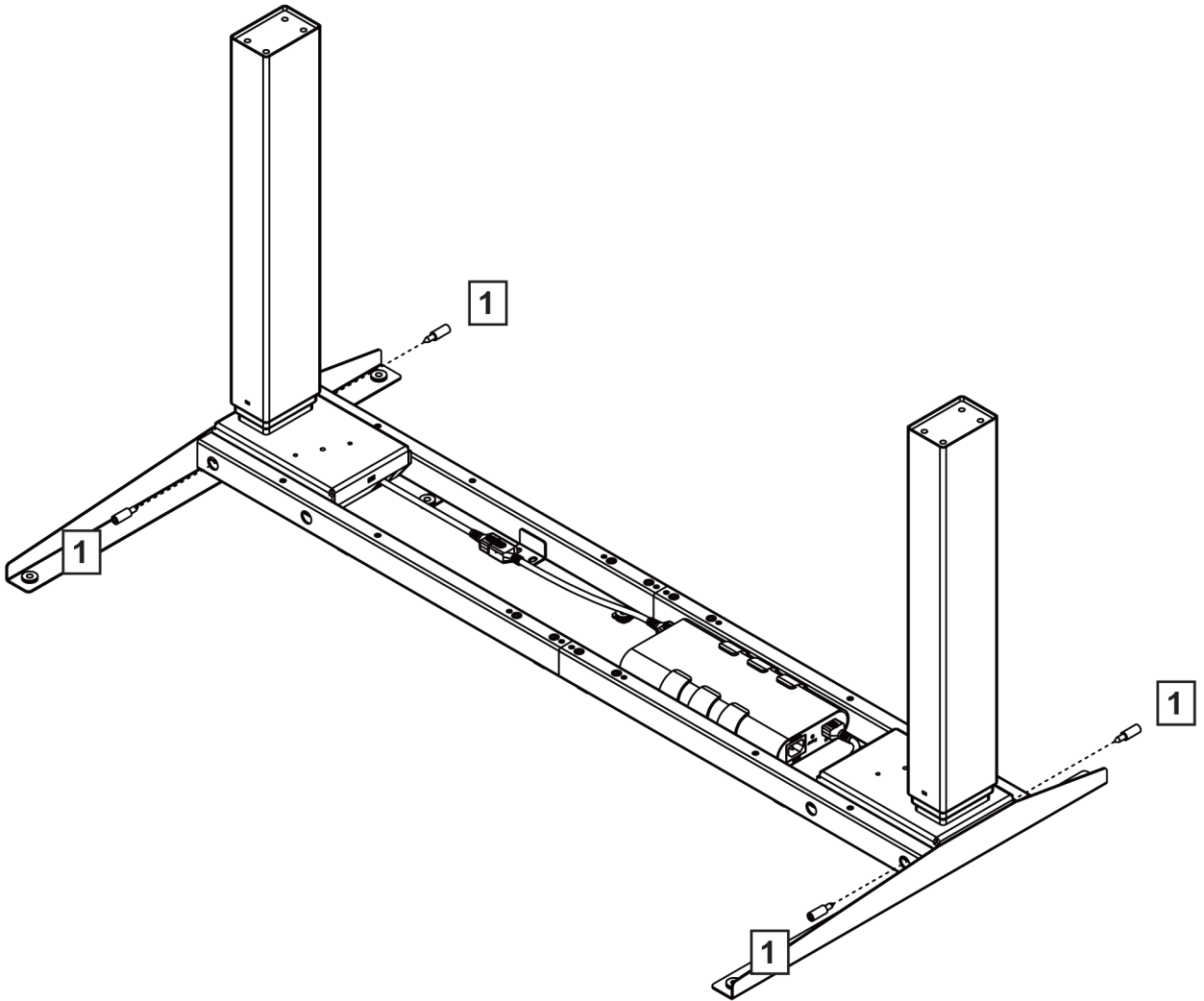
Be mindful of cable while lifting up leg



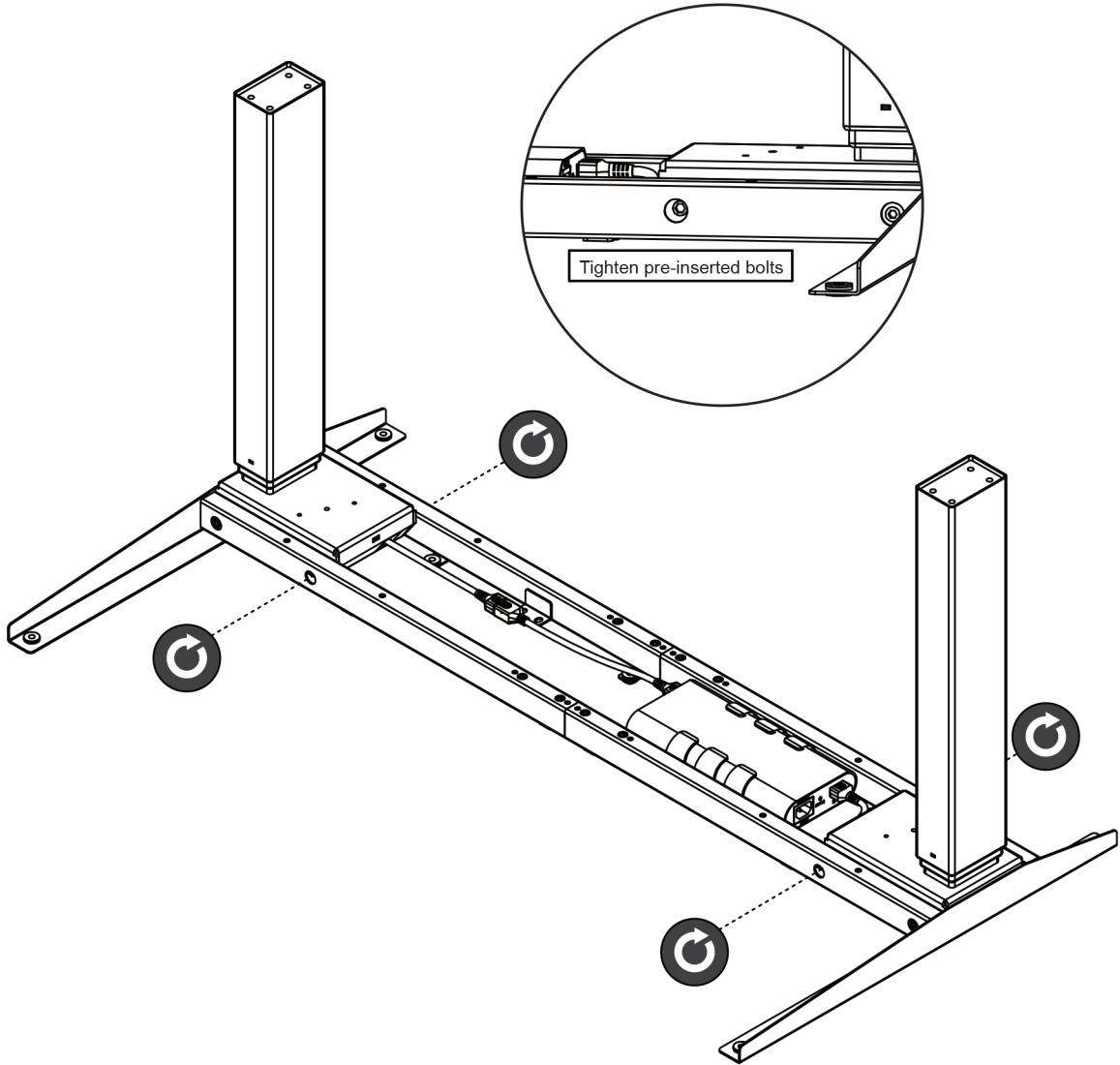
Be mindful of cable while lifting up leg



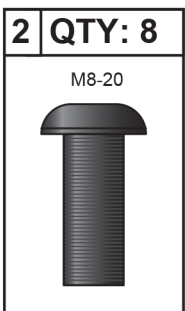
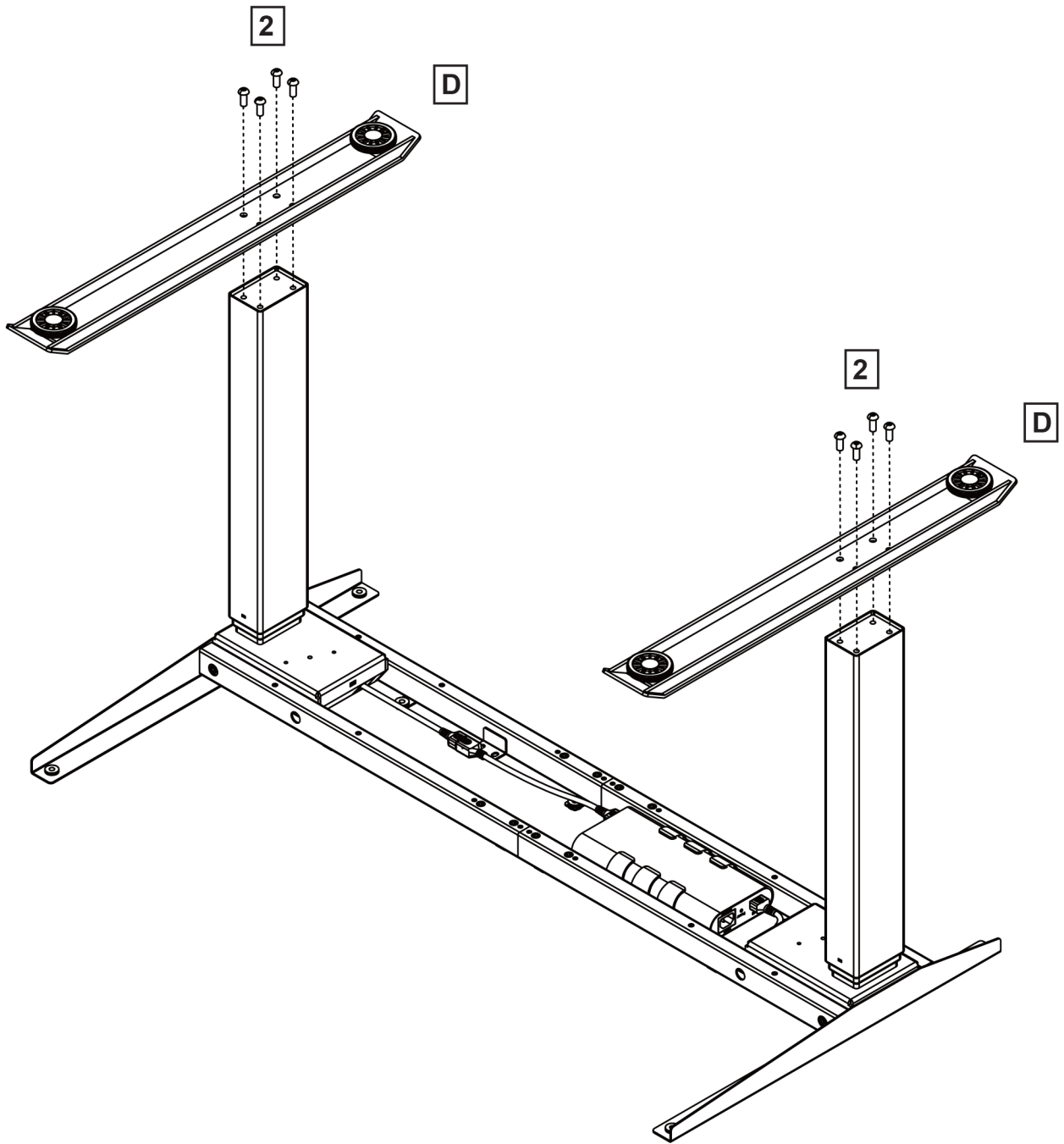
3



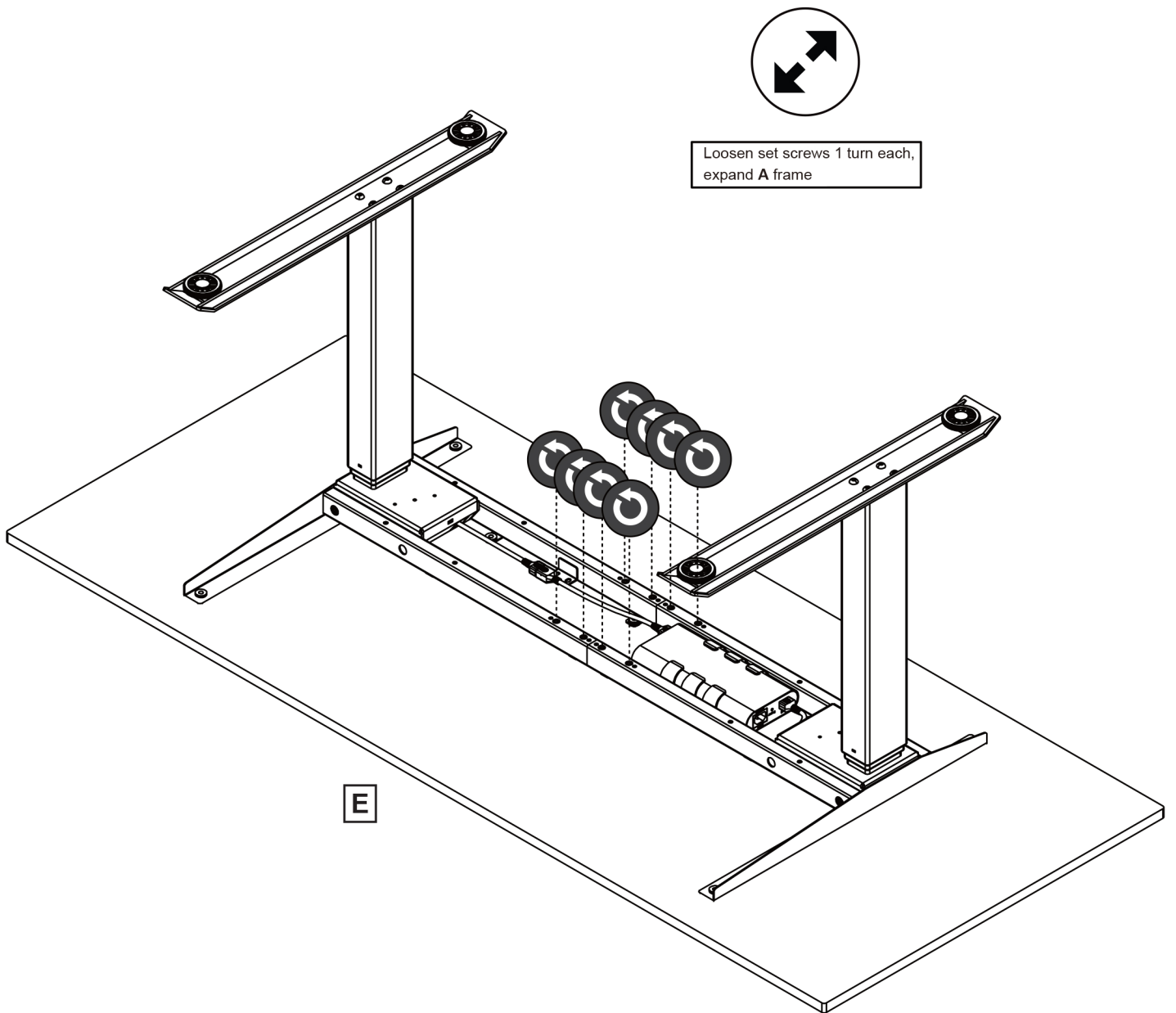
4



5



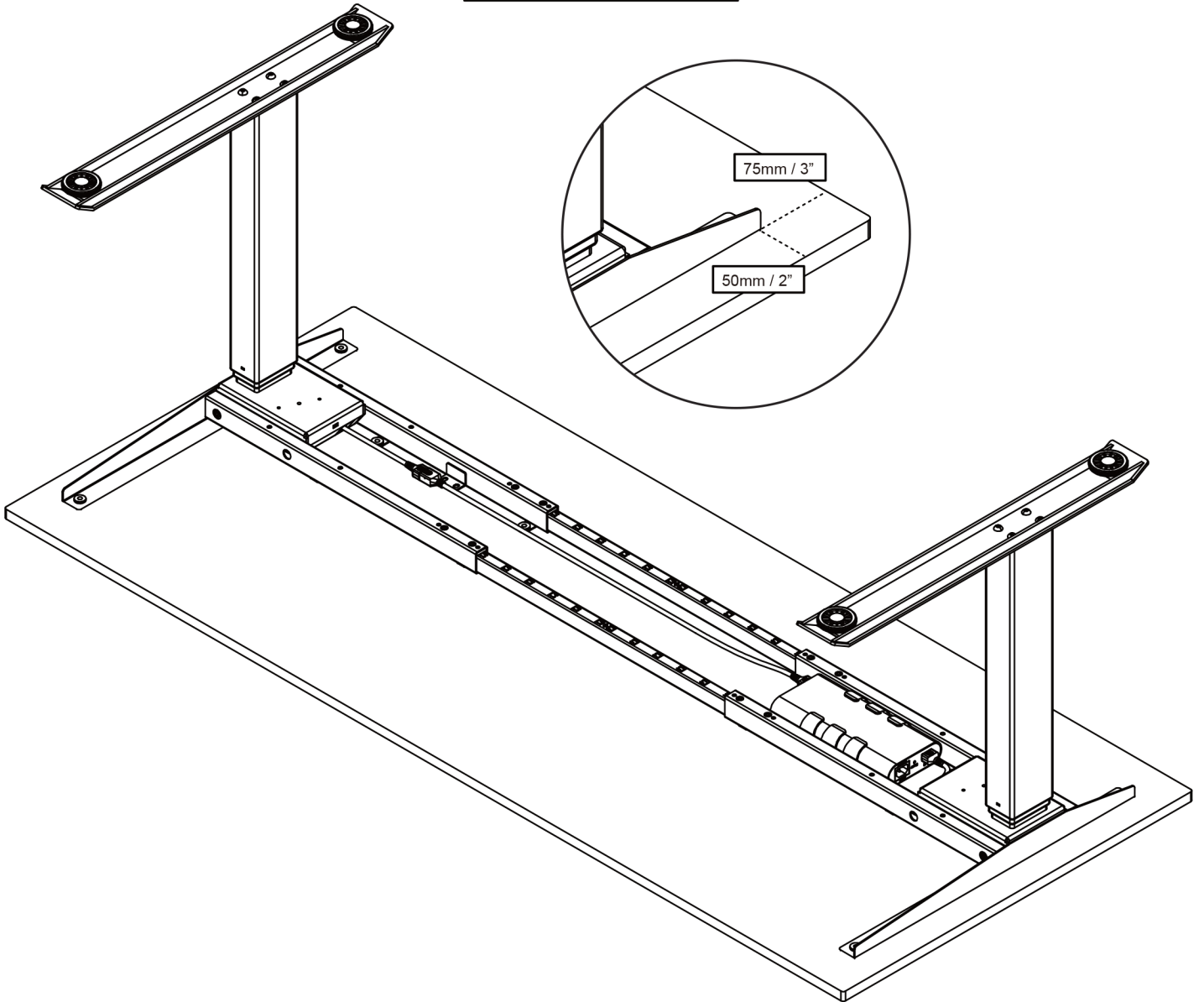
6



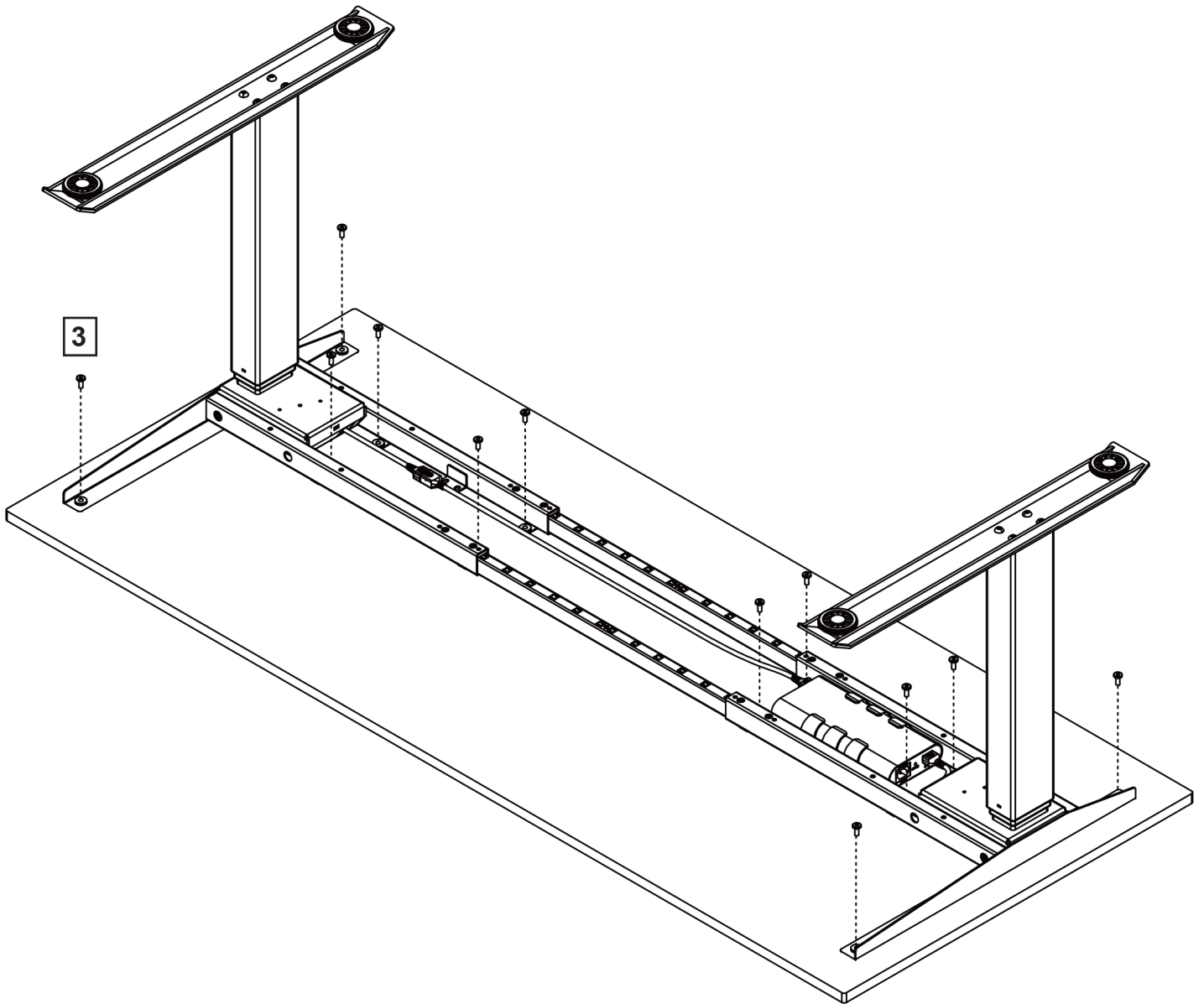
7



If using a desktop without threaded inserts or pre-drilled holes, align according to diagram below



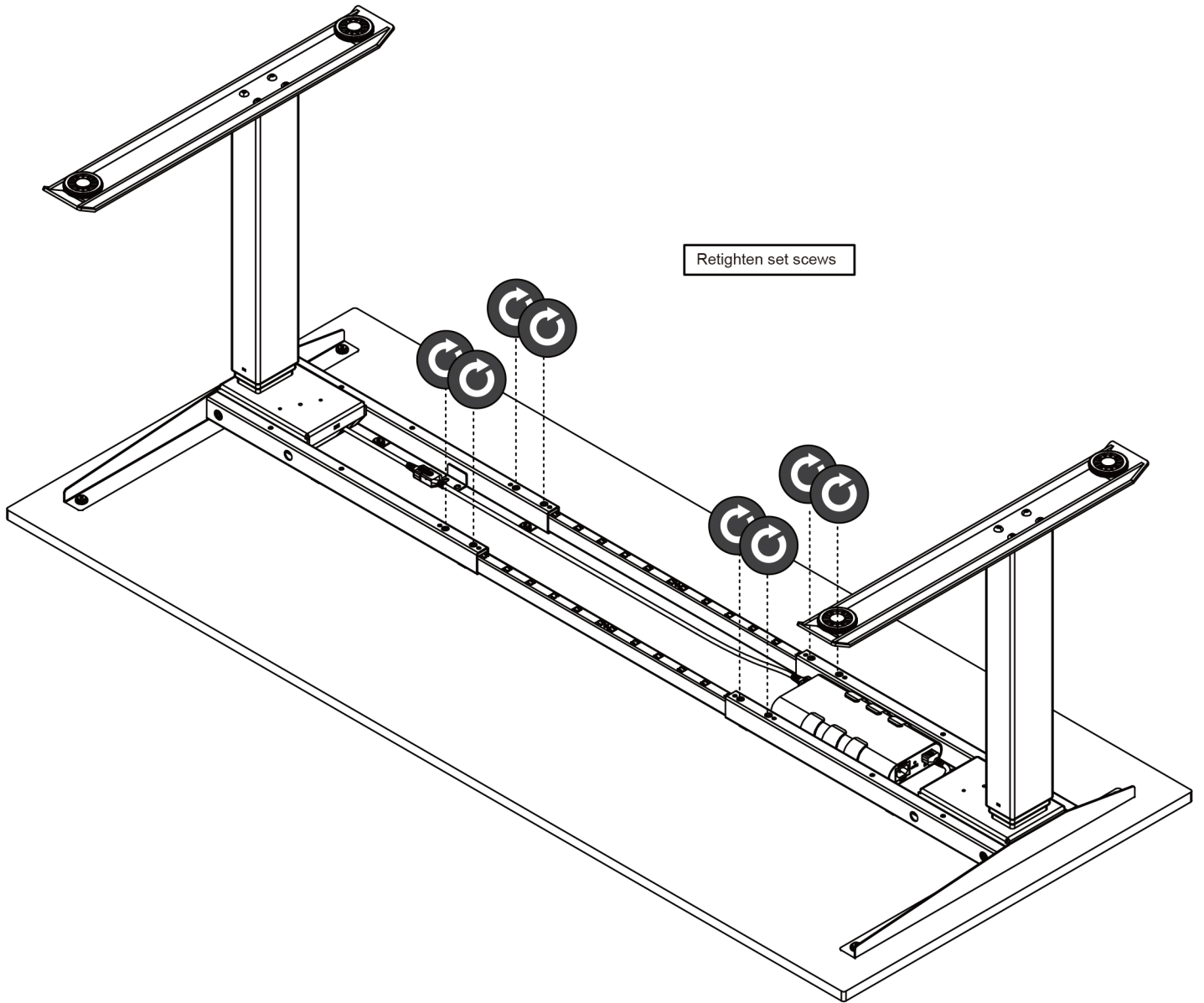
8



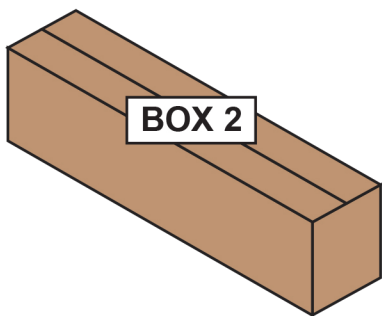
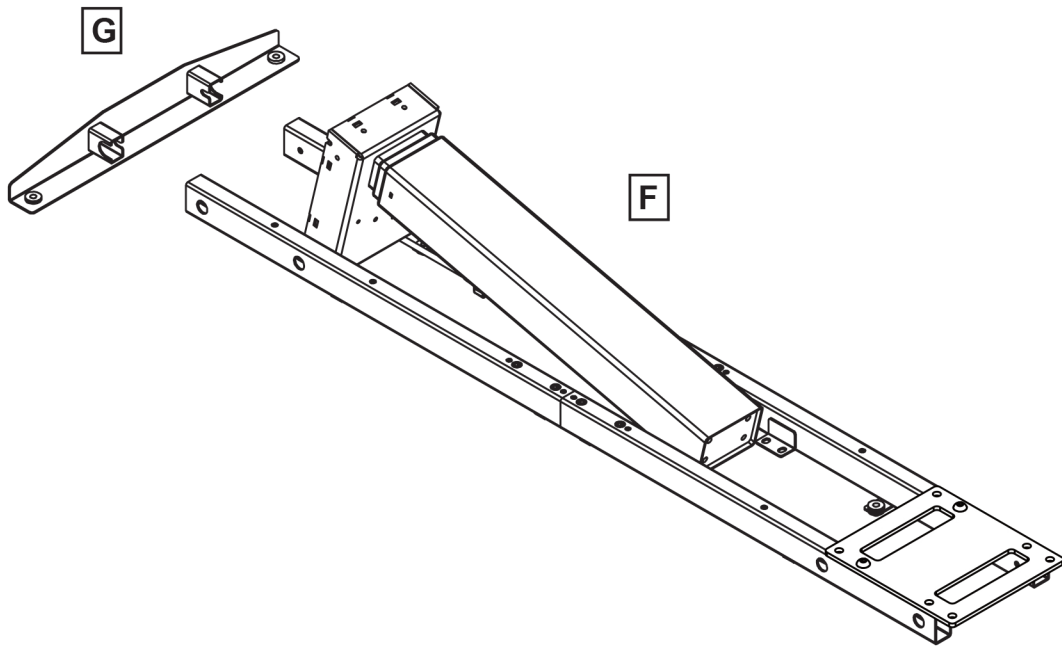
3	QTY: 12
M6-16	
	



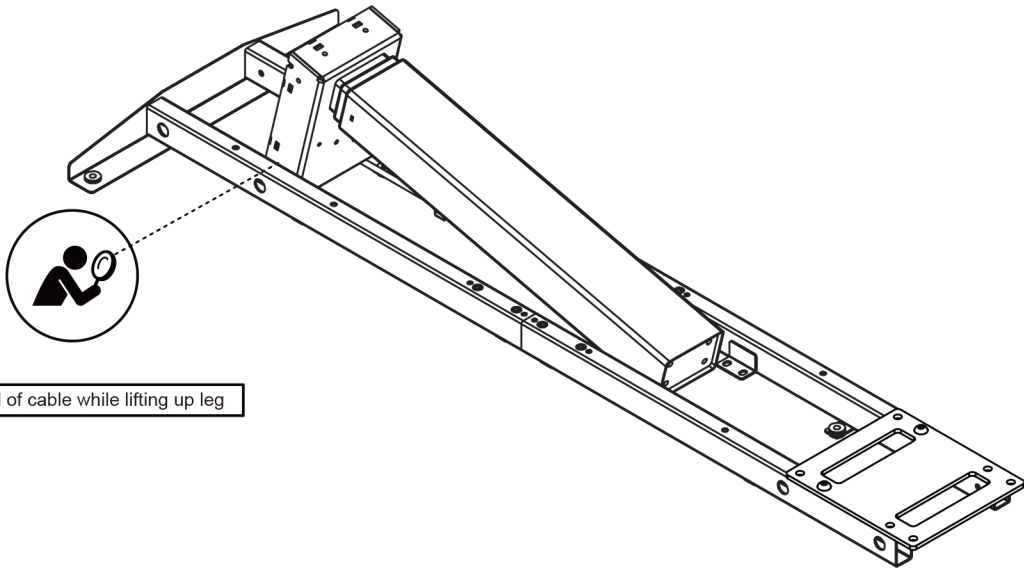
9



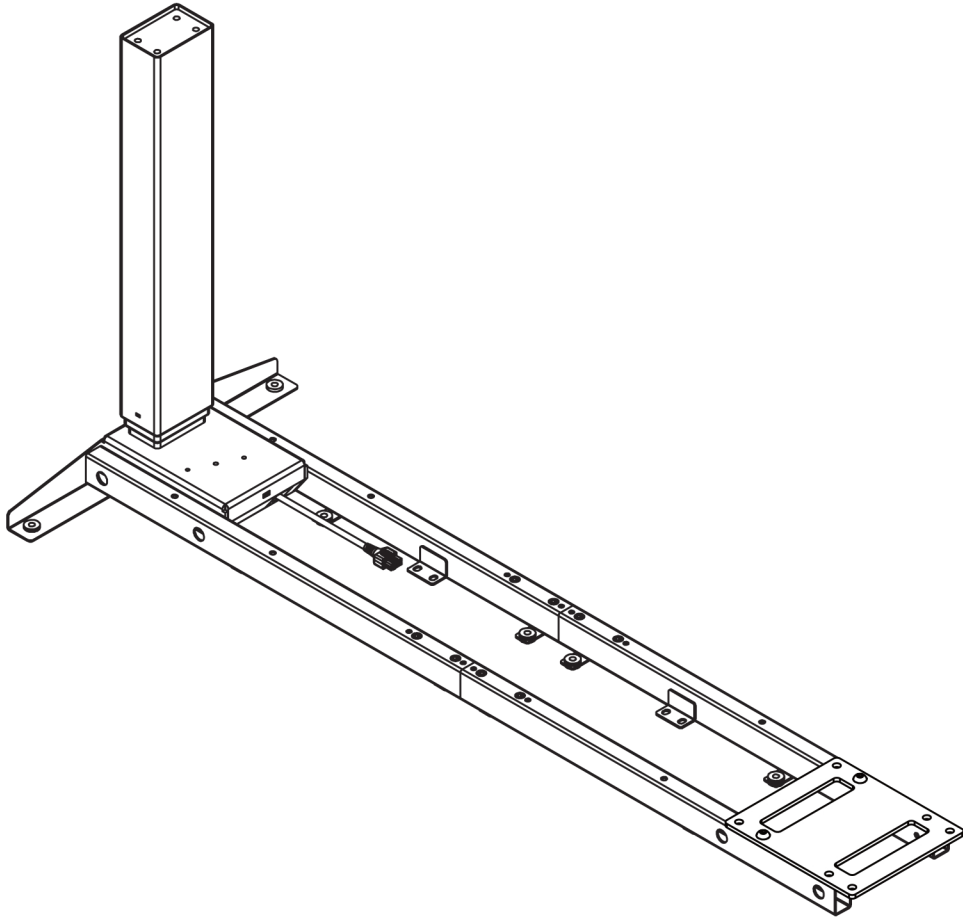
10



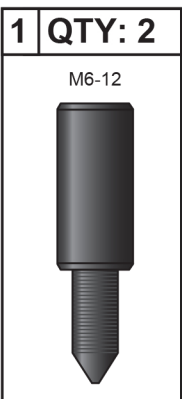
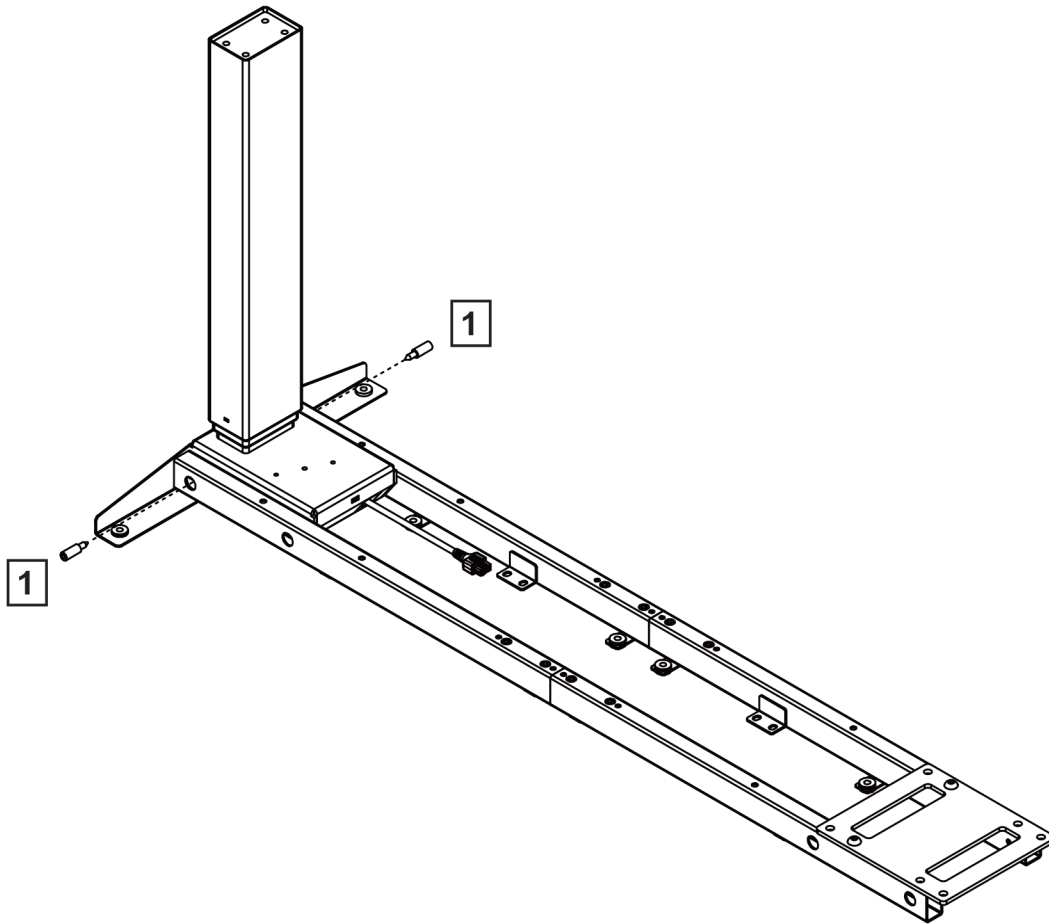
11



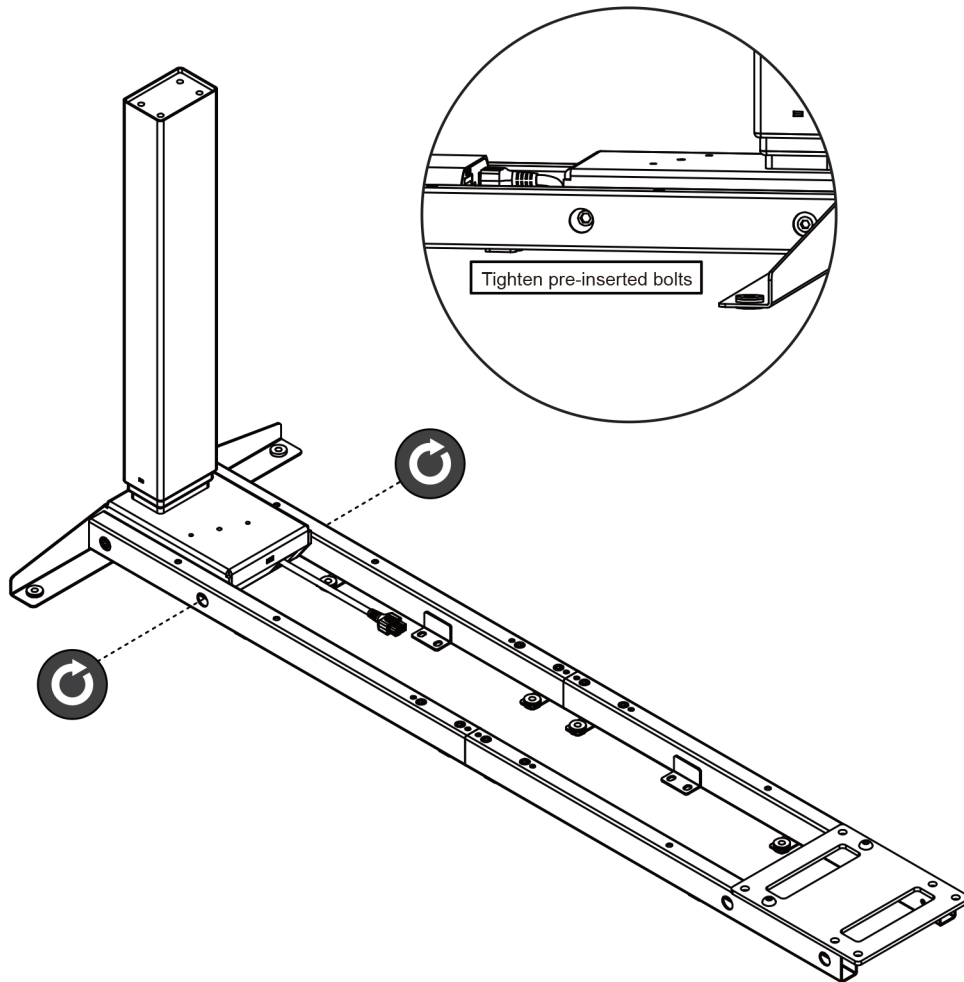
Be mindful of cable while lifting up leg



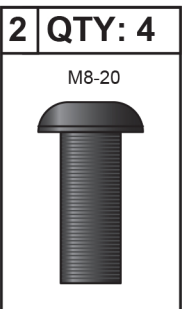
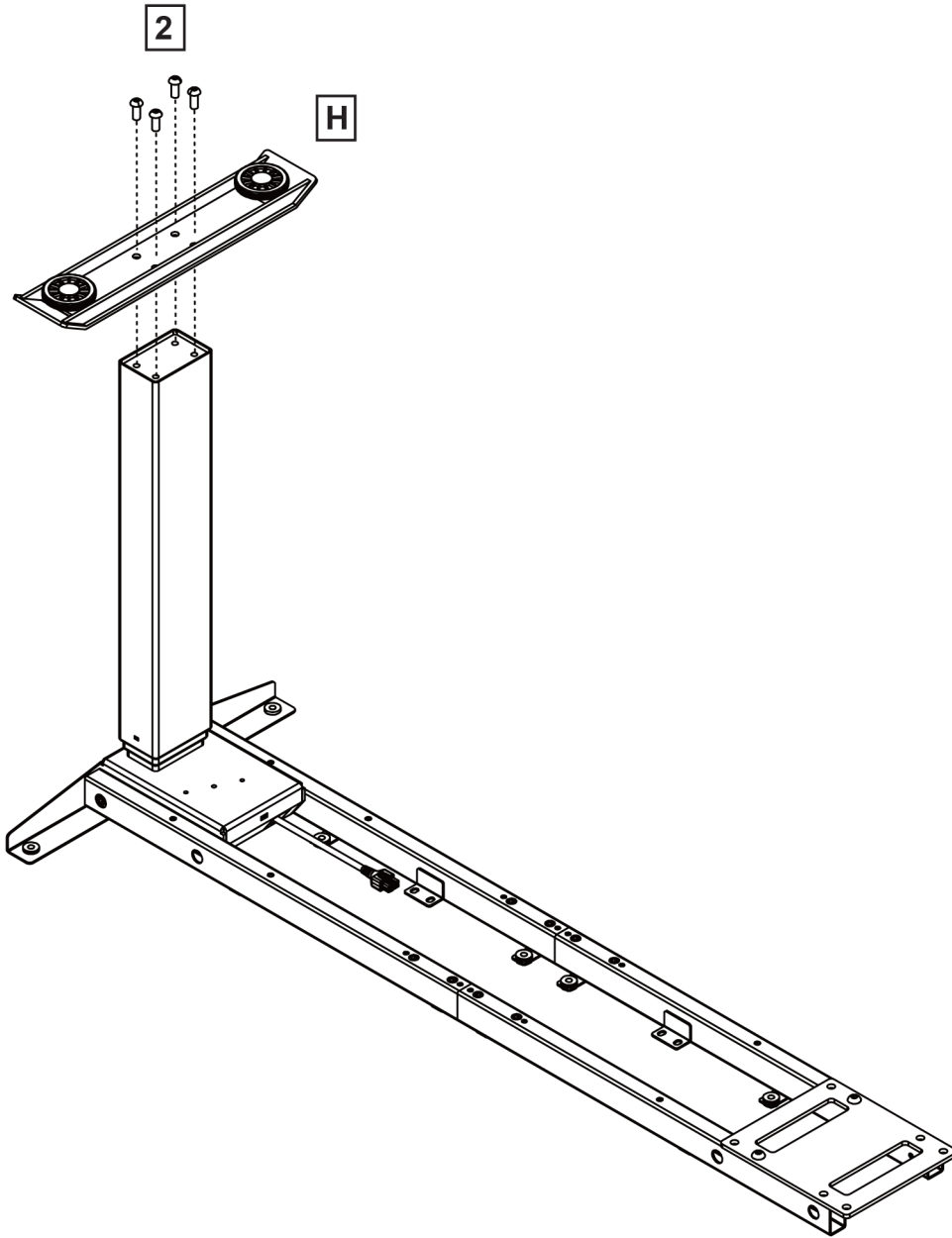
12



13



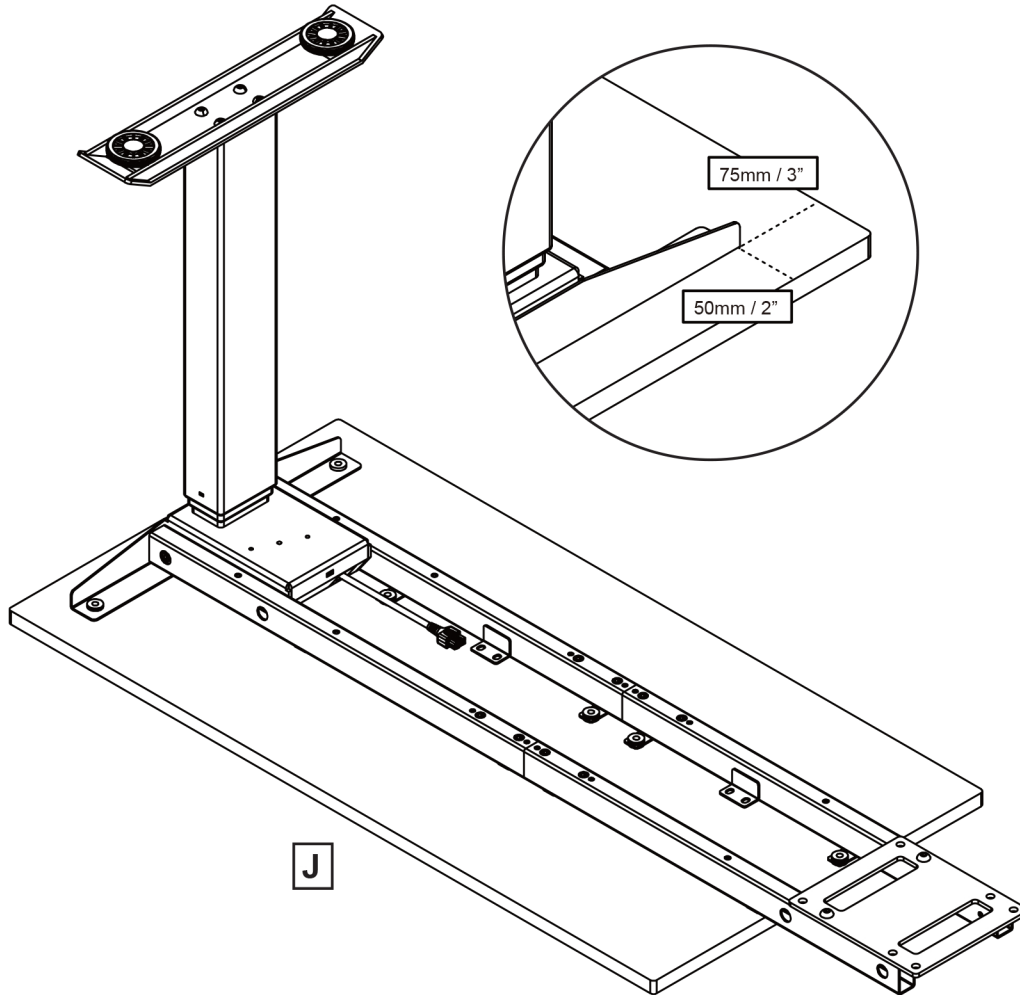
14



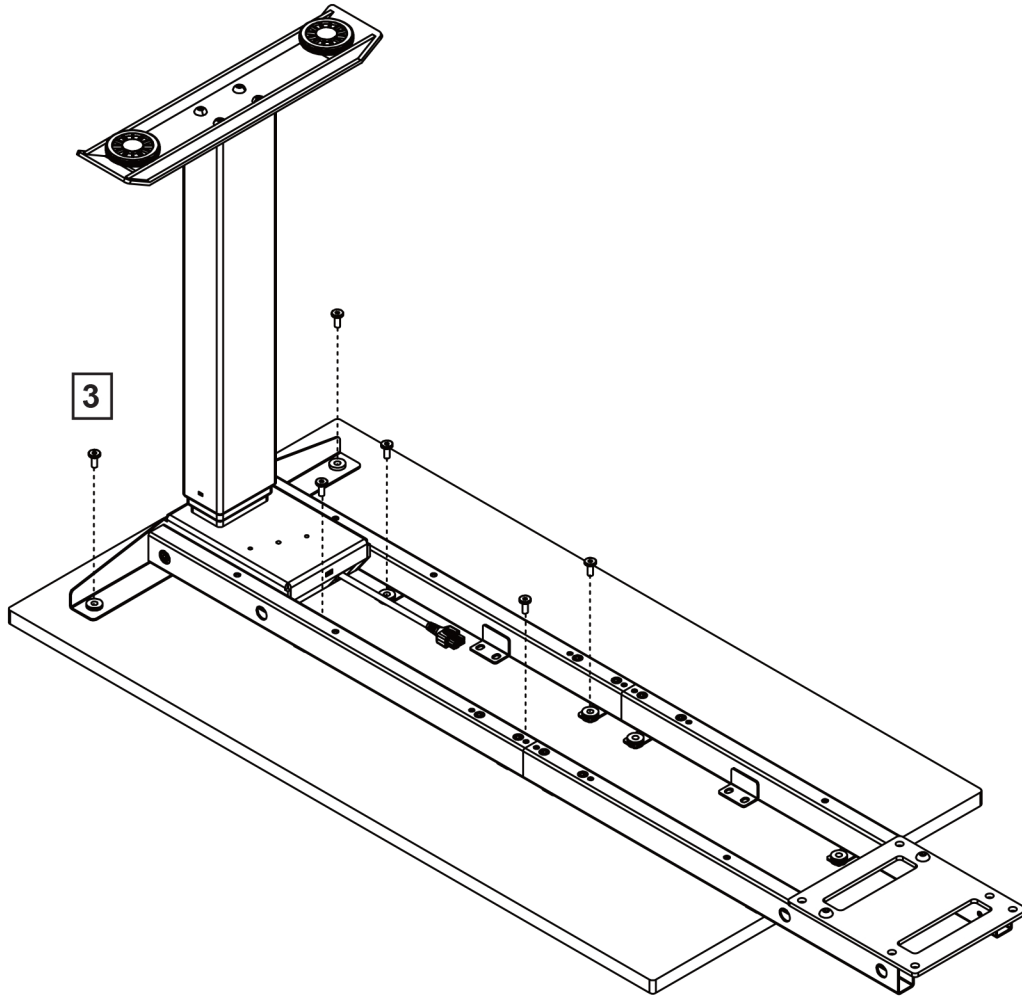
15



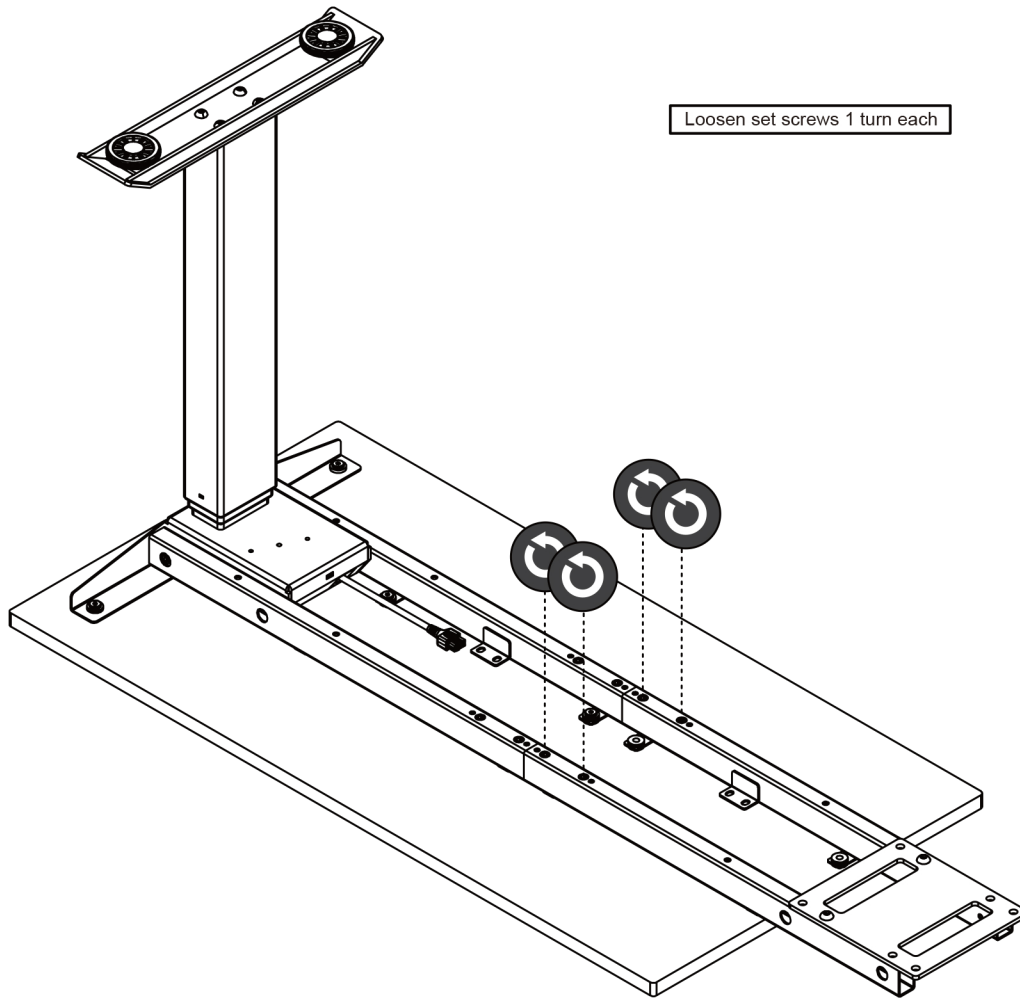
If using a desktop without threaded inserts or pre-drilled holes, align according to diagram below



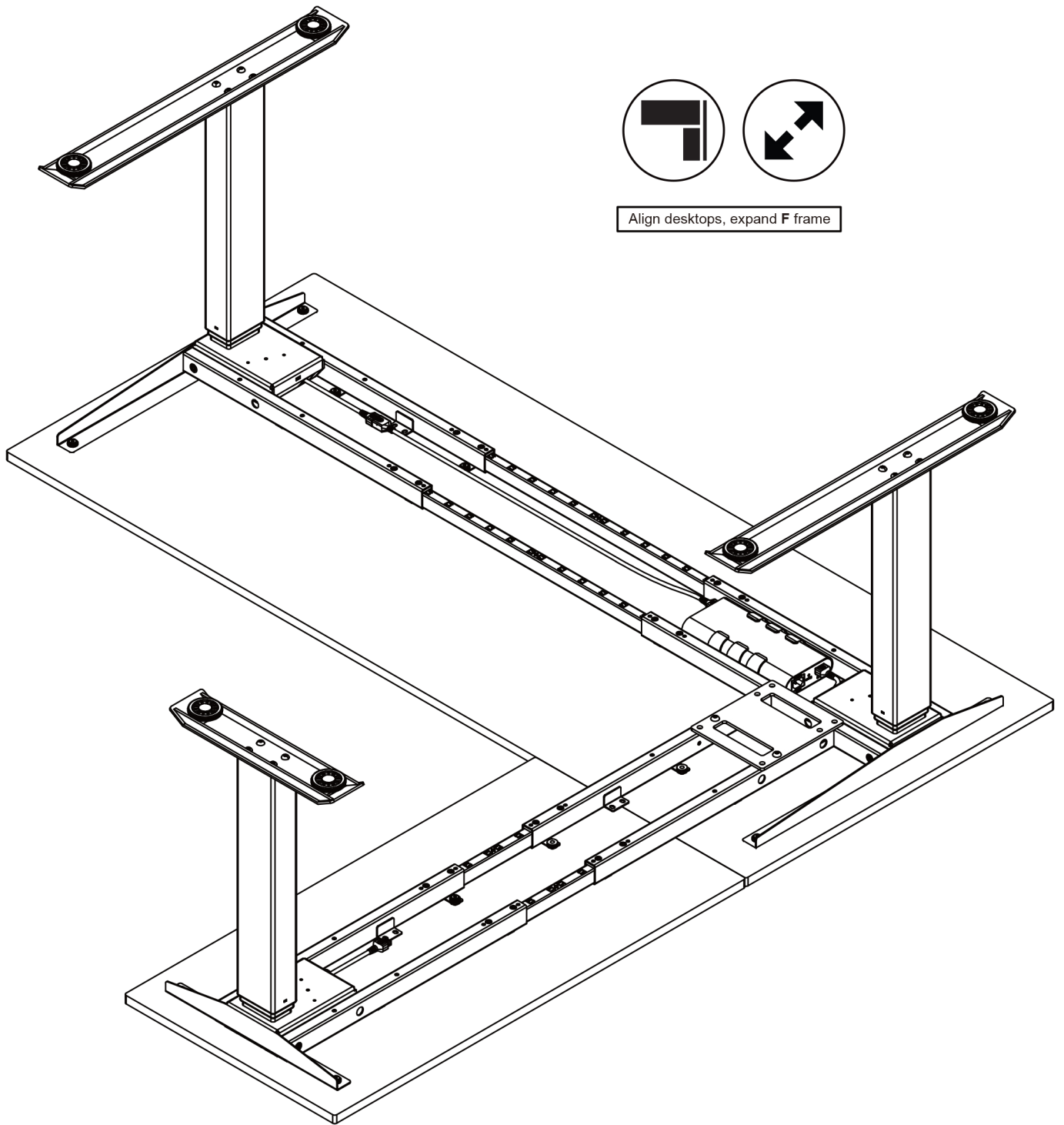
16



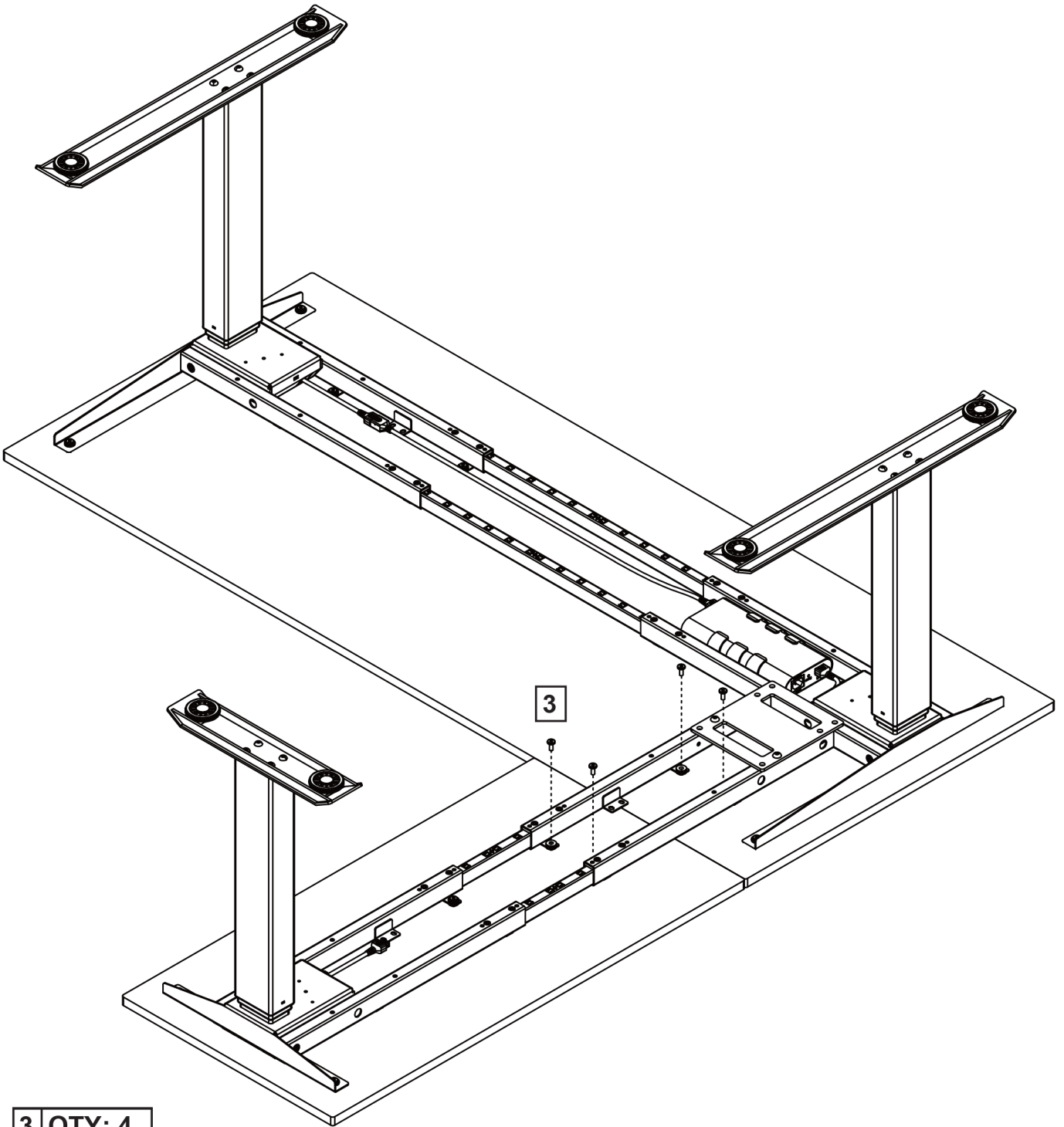




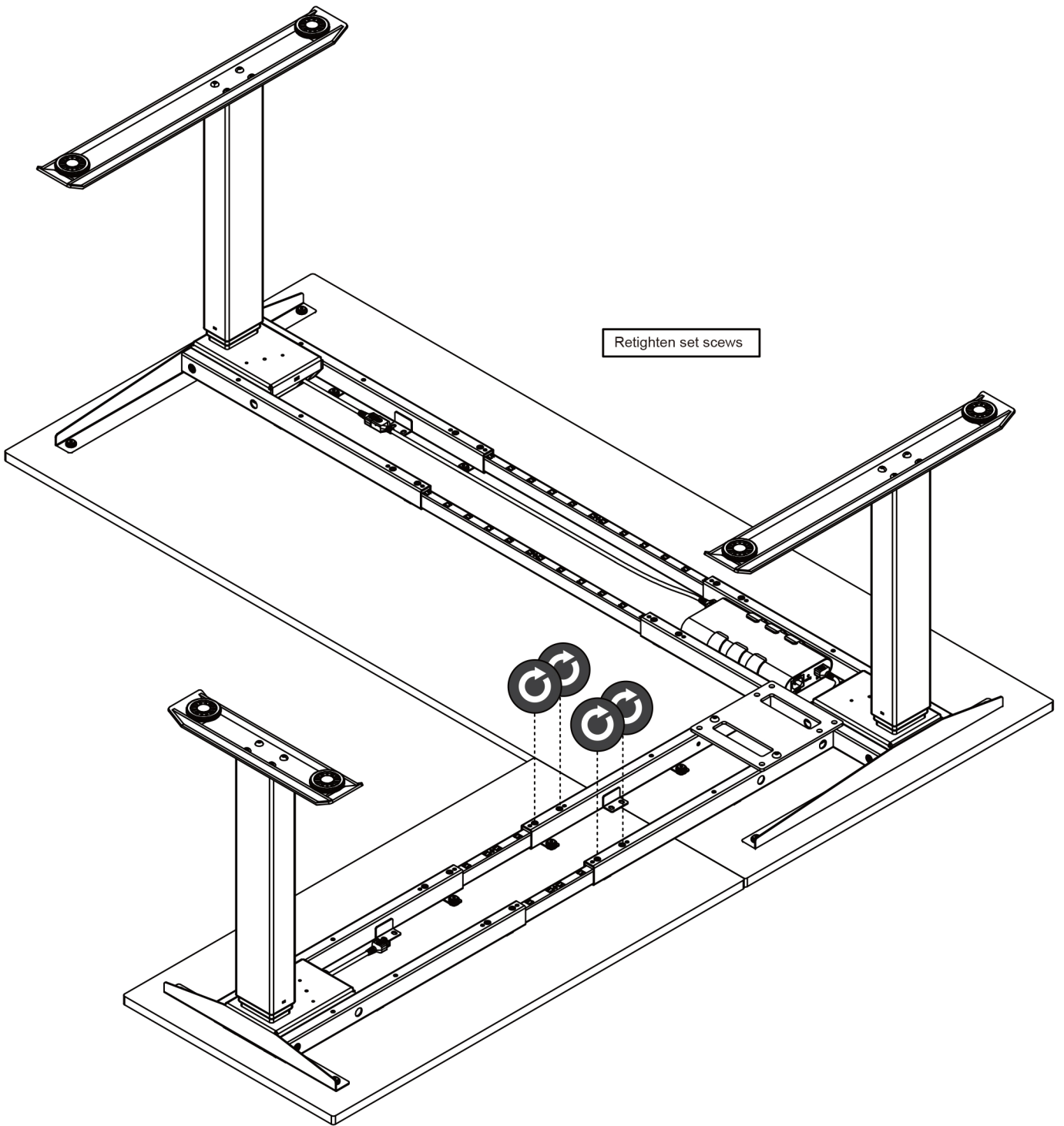
18

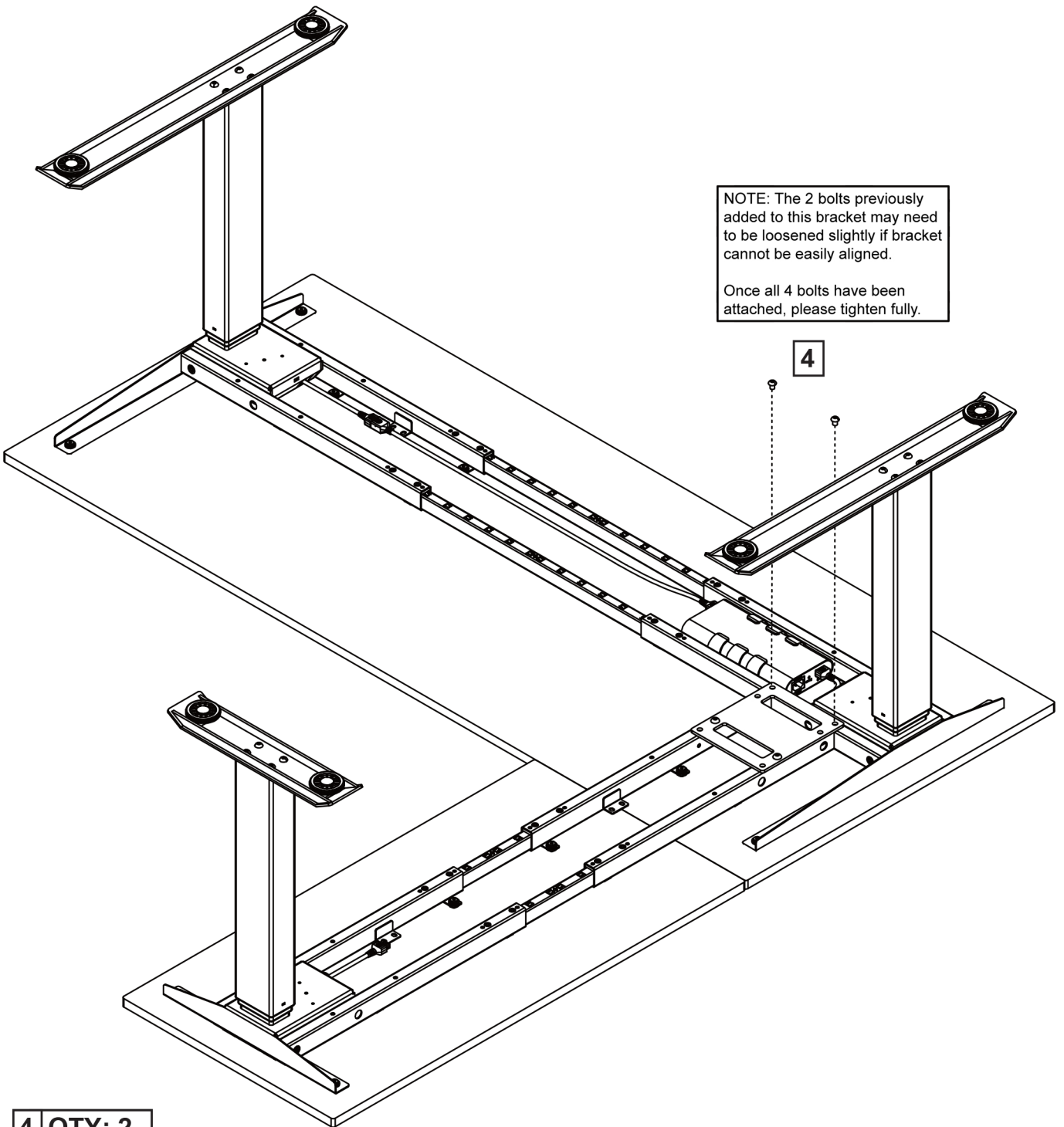


19



3	QTY: 4
M6-16	
	

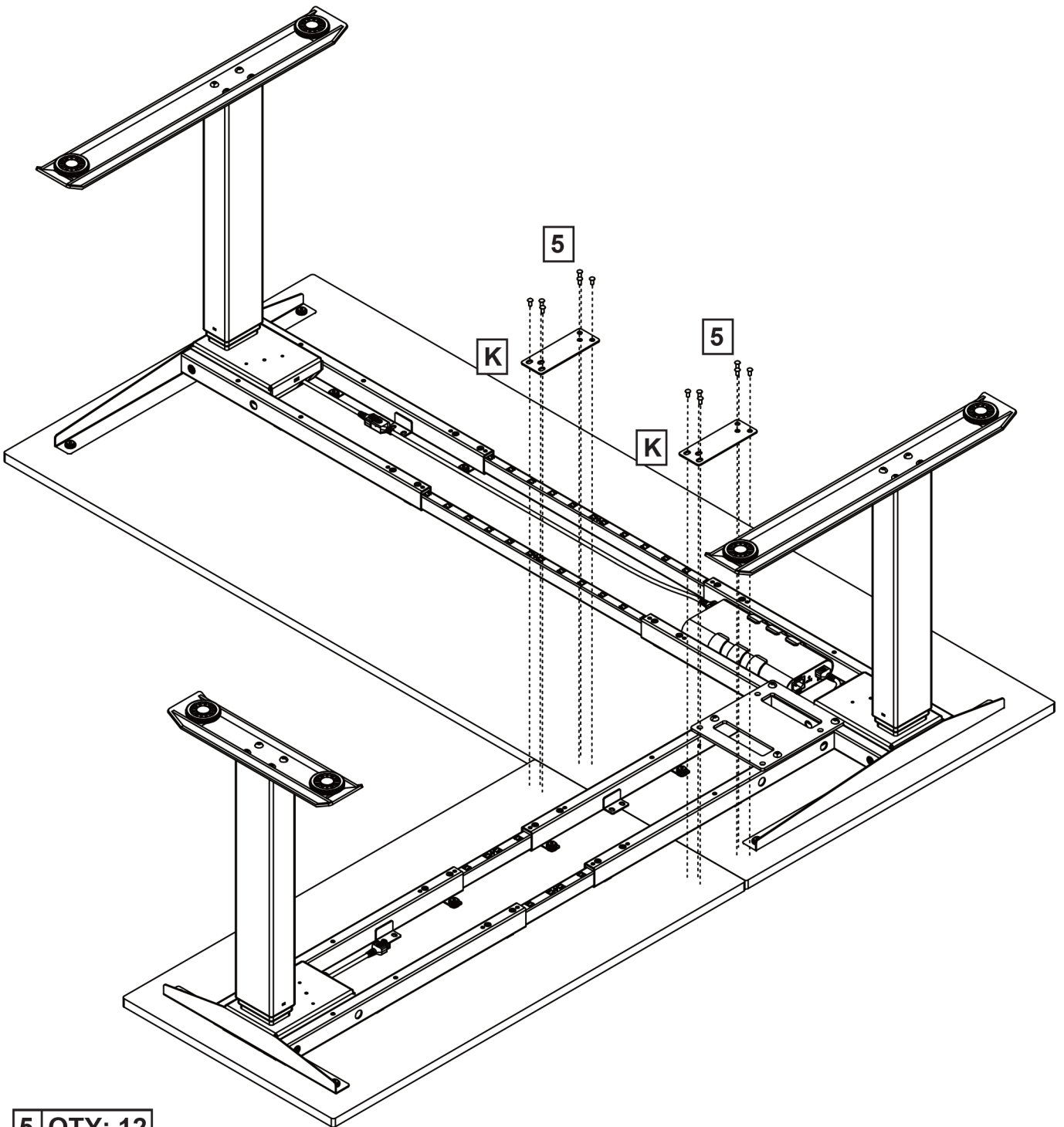




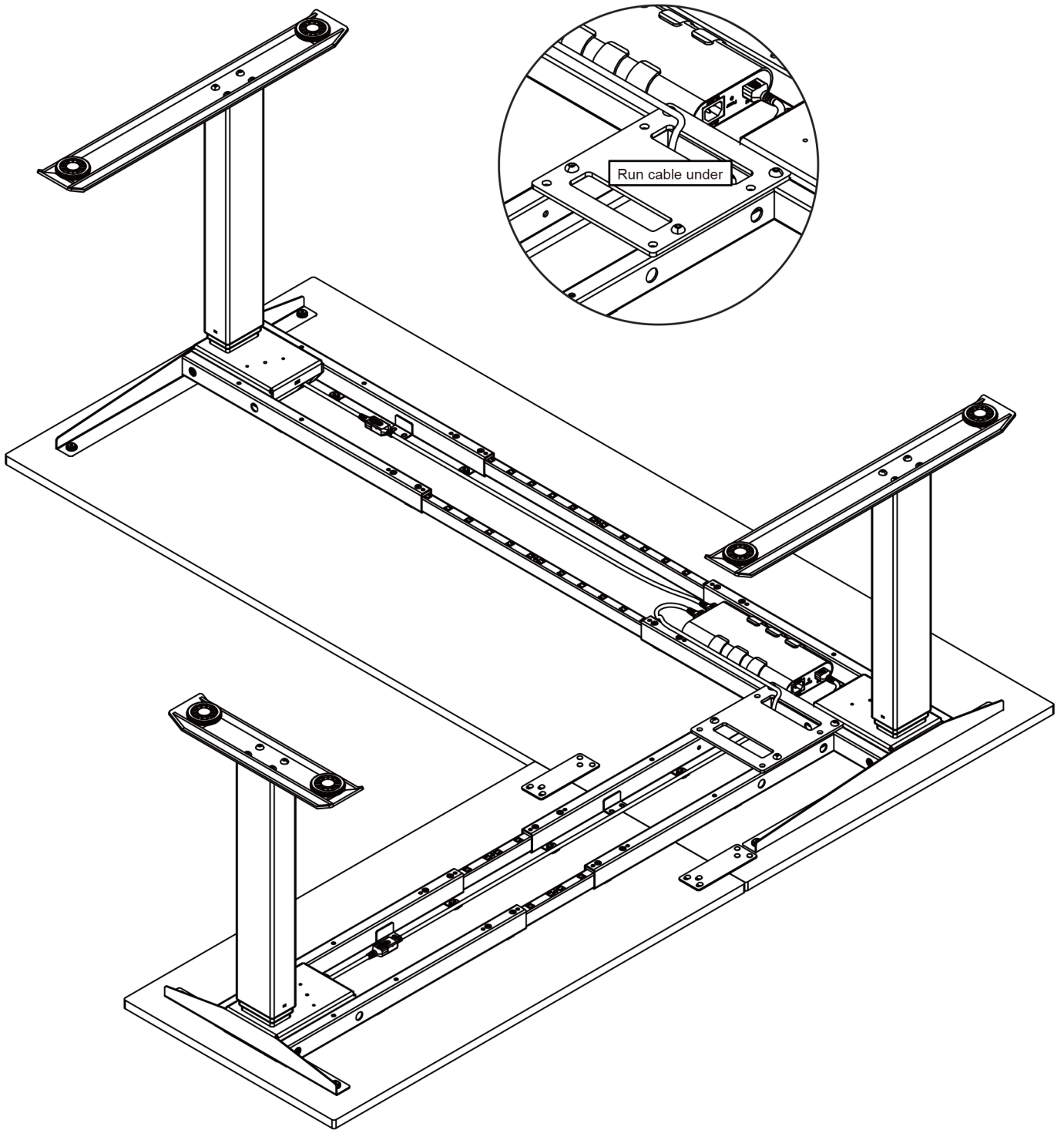
NOTE: The 2 bolts previously added to this bracket may need to be loosened slightly if bracket cannot be easily aligned.  
Once all 4 bolts have been attached, please tighten fully.

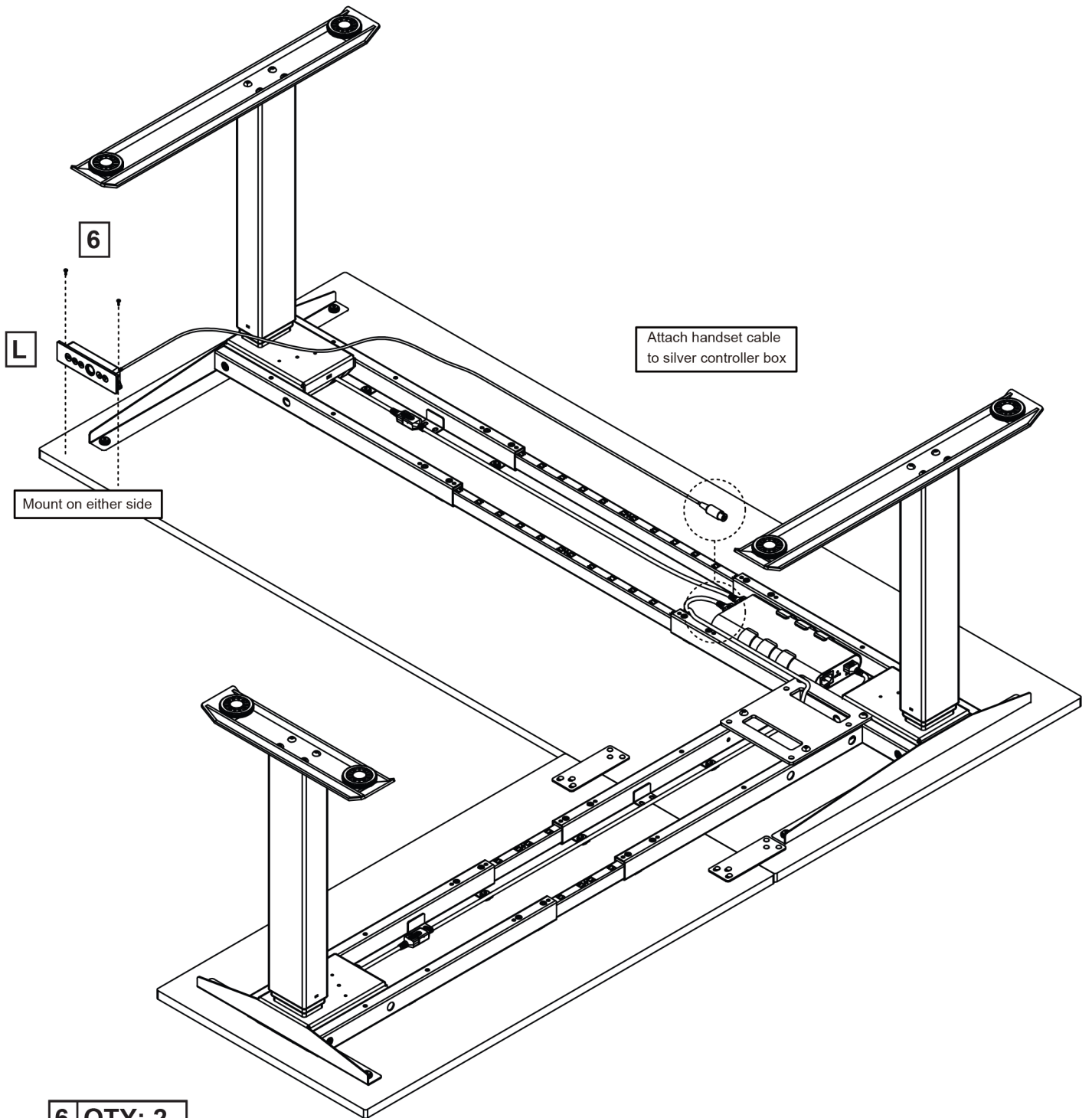
4

4	QTY: 2
M8-10	
	



5	QTY: 12
ST5-16	





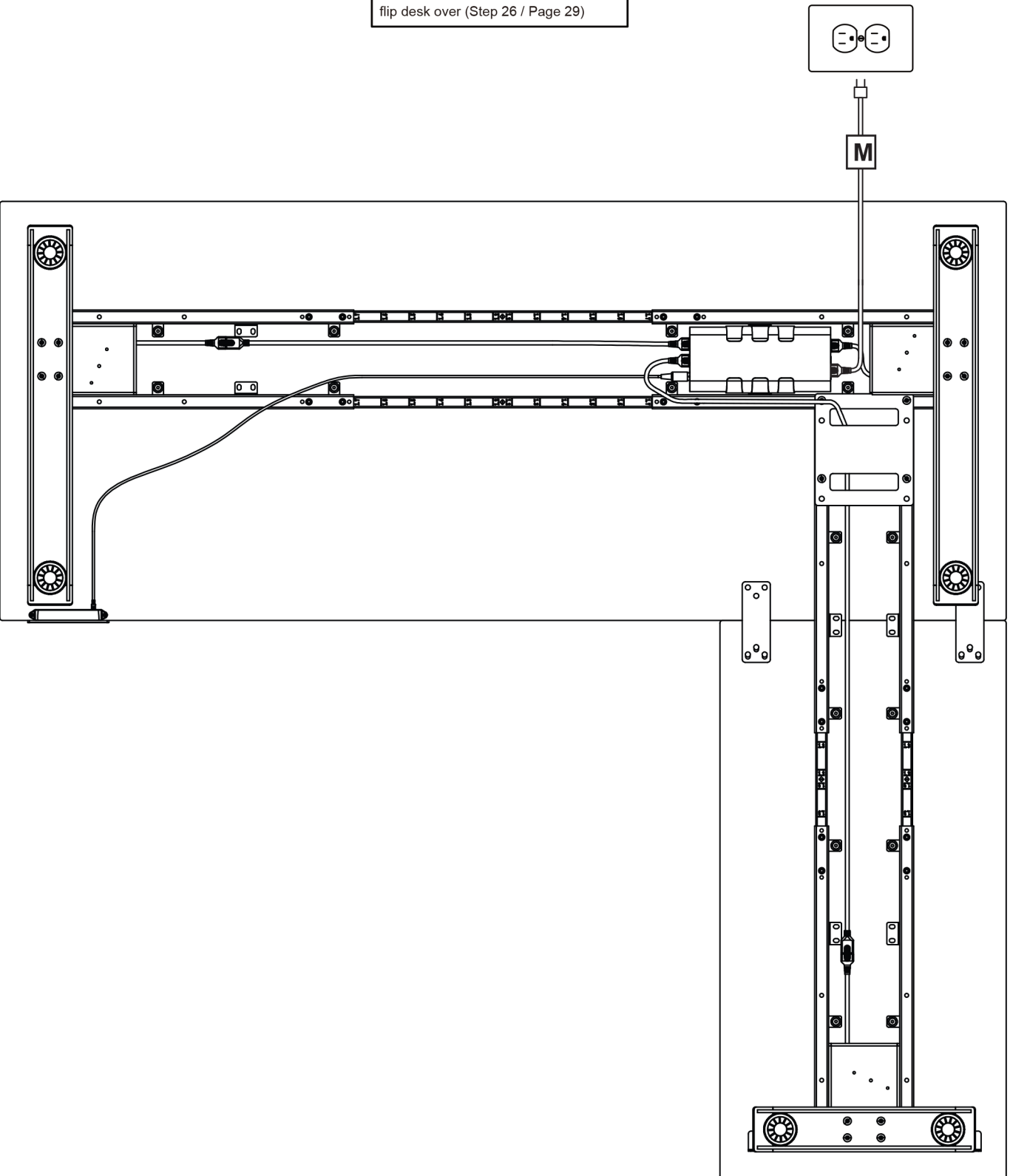
6	QTY: 2
ST3.5-13	
	



25

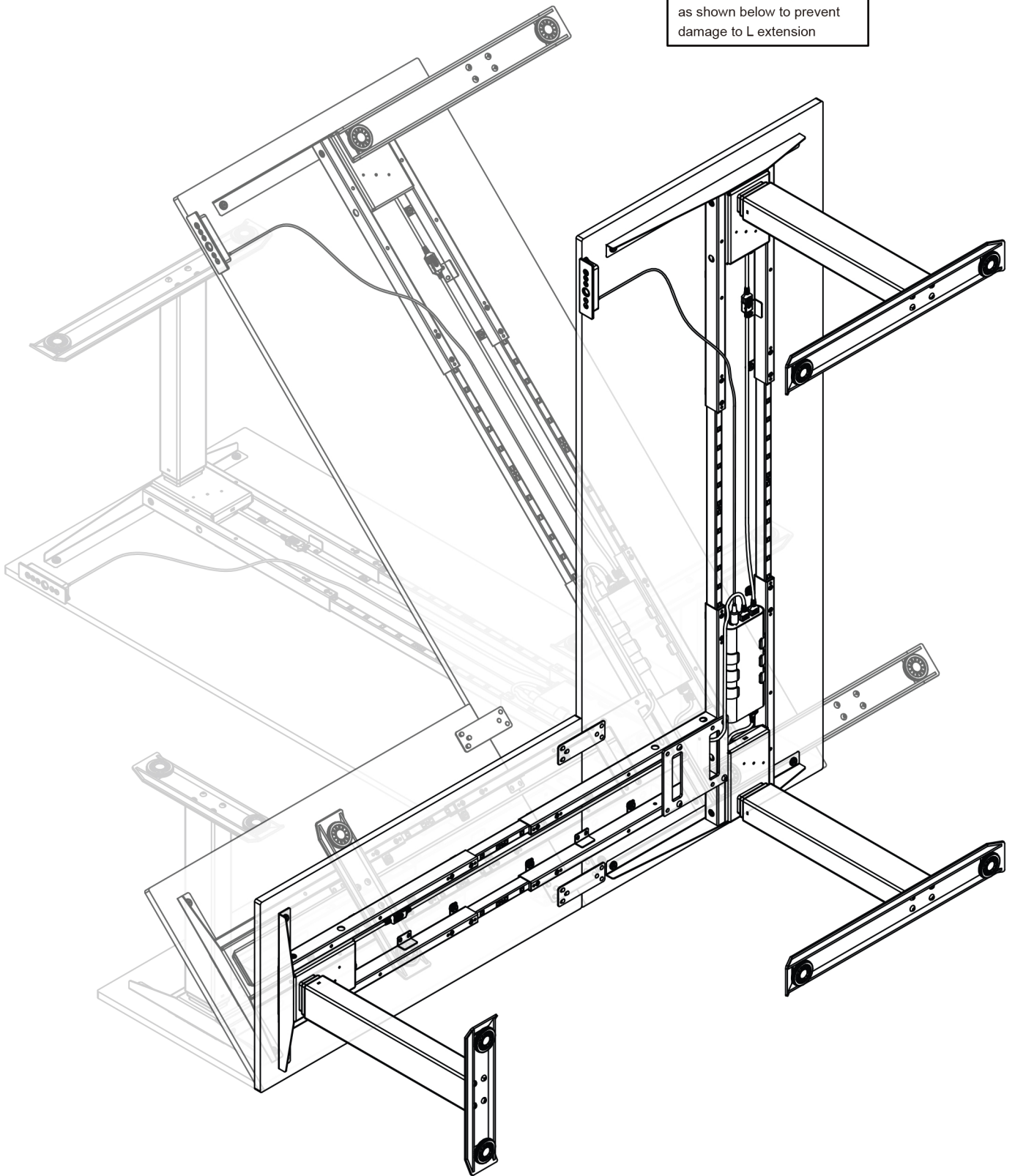


Attach power cable to silver controller box, do not plug into wall until after you flip desk over (Step 26 / Page 29)



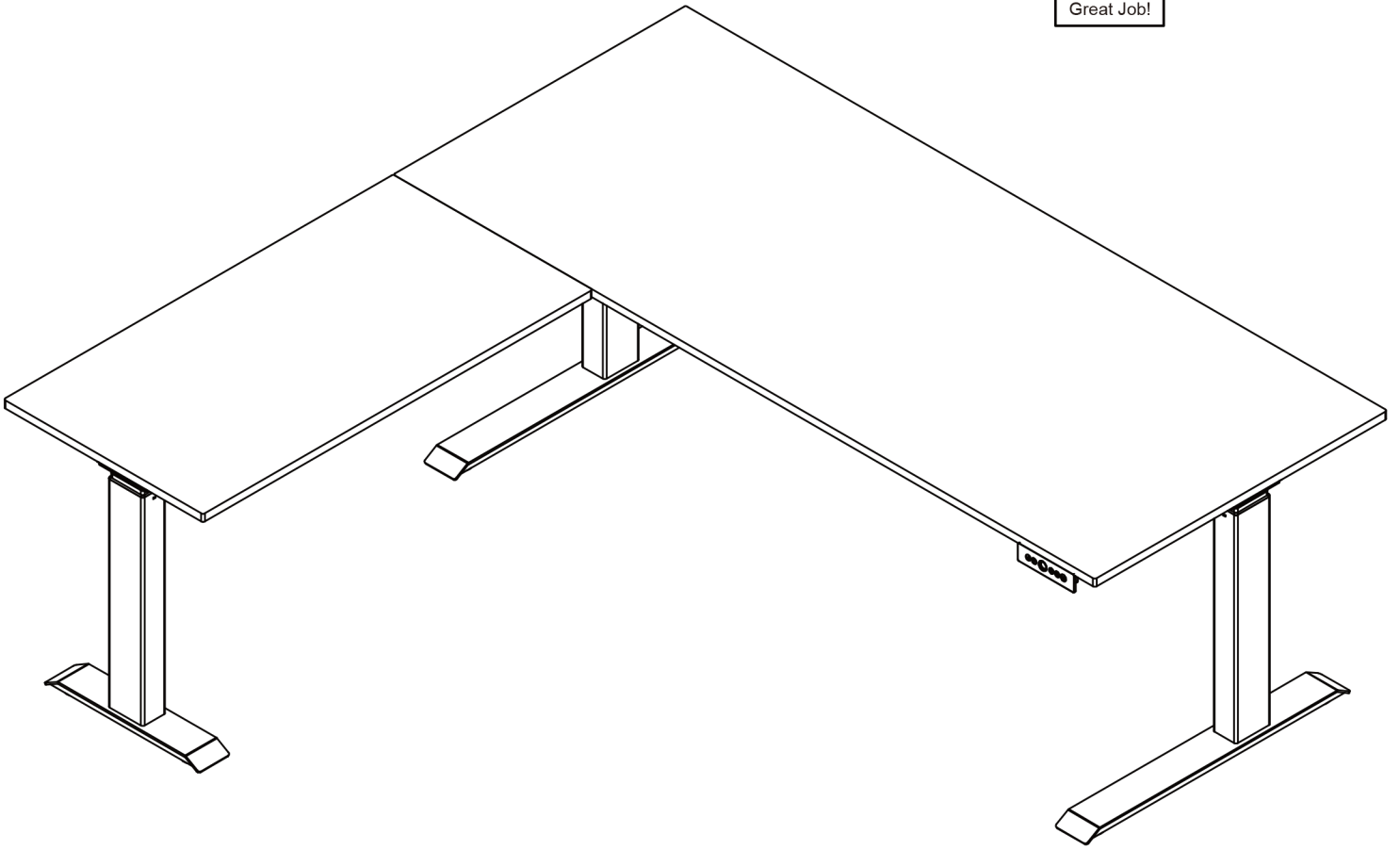


With assistance, flip desk over as shown below to prevent damage to L extension





Great Job!



## CAUTION

- Keep children away from desk - especially handset, controller / powerbrick, legs, or cables. There is a risk of electric shock or serious injury.
- Do not open any components - especially handset, controller / powerbrick, legs or cables. There is a risk of electric shock or serious injury.
- Close supervision is necessary when children, elderly, or persons with disabilities are in close proximity.
- Keep all electrical components away from liquids or wet areas.
- Do not sit or stand on desk. Do not crawl or lie under desk.
- Do not place any object taller than 20" (when using glides) 23" (when using casters) under desk.
- Never operate desk if cords / plug are wet or damaged.
- Make sure there are no obstacles in the path of the desk's motion.
- Make sure all cords are appropriate length to accommodate desk's motion.
- Never exceed noted weight capacity.
- Ensure all hardware are properly tightened.
- If component needs to be replaced, remove power cord first.
- In the event of a power outage or accidental removal of power cord, a manual reset may be necessary. See **MANUAL RESET**.

## USE & LIABILITY

Read all instructions before using desk. Keep instructions for reference. Manufacturer does not accept warranty claims or liability claims for damages caused by improper use or handling.

Prefer video instructions?  
View our video page!



Questions or concerns?  
Contact us directly!



**1-855-843-7920**

**CustomerService@StandUpDeskStore.com**  
[standupdeskstore.com/electric-desk-assembly-videos](https://standupdeskstore.com/electric-desk-assembly-videos)