



# STAND UP desk store

A better desk for a better you



**Stand Up Desk Assembly Guide**  
for 48" & 40" Wide Desks

# Table of Contents

Table of Contents . . . . .	2
Parts List & Hardware . . . . .	3
<u>Assembly and Installation</u>	
Attach casters to the frame. . . . .	4
Attach shelf cross bars to the frame . . . . .	5
Attach cross bar to the frame . . . . .	6
Attach lower shelf to the frame . . . . .	7
Shelf height hole pattern guide . . . . .	8
Attach middle cross bar to the frame . . . . .	9
Flip upright then attach the keyboard shelf. . . . .	10
Attach the top monitor shelf . . . . .	11

## Tools Recomendaded

- Phillips Screwdriver

## **ATTENTION!**

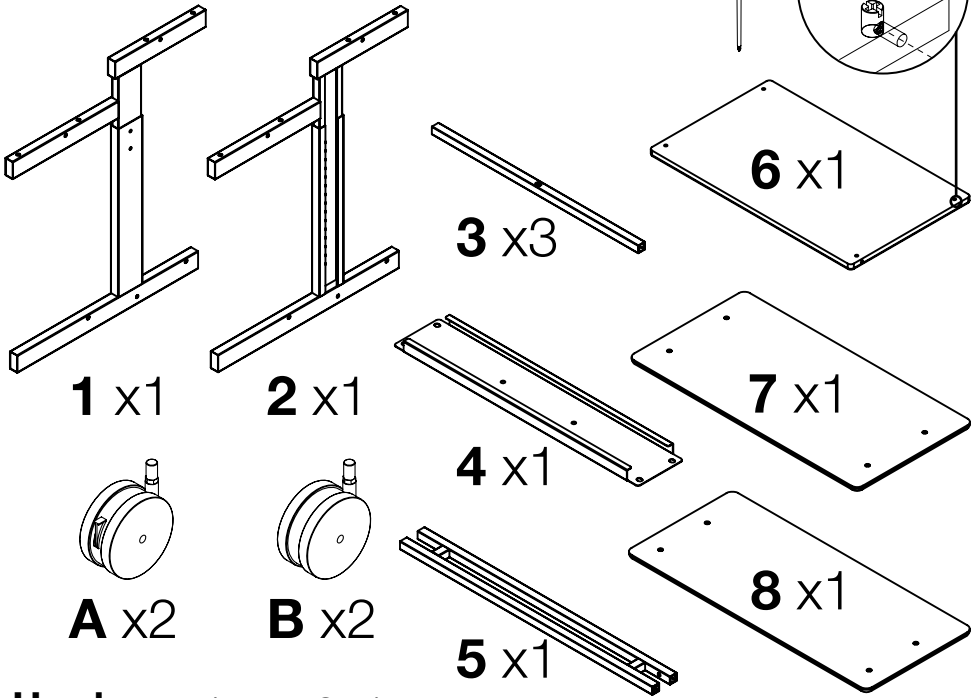
Do not fully tighten screws until completely assembled

## **WE ARE GIVING YOU A STANDING OVATION**

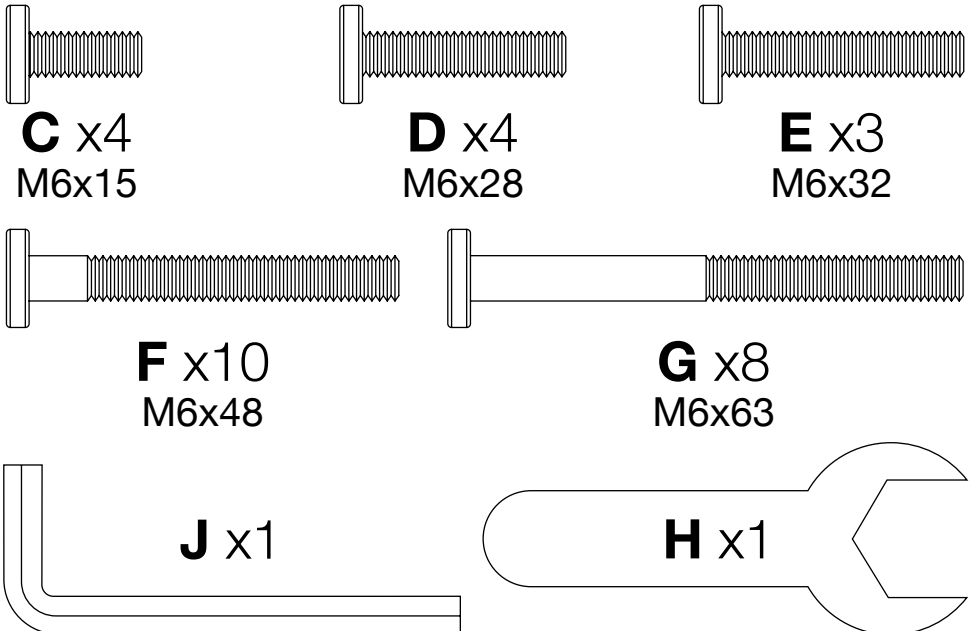
You did it! You took the first step towards healthier living by purchasing our stand up desk. We couldn't be happier to have you joining the millions of people who were tired of sitting around and ready to take a stand for a healthier life.

This desk was build with you in mind and every detail was carefully crafted. The following assembly guide is best accomplished with two people. If you have any questions or concerns please give us a call at: **1-855-843-7920** or email: **customerservice@standupdeskstore.com**

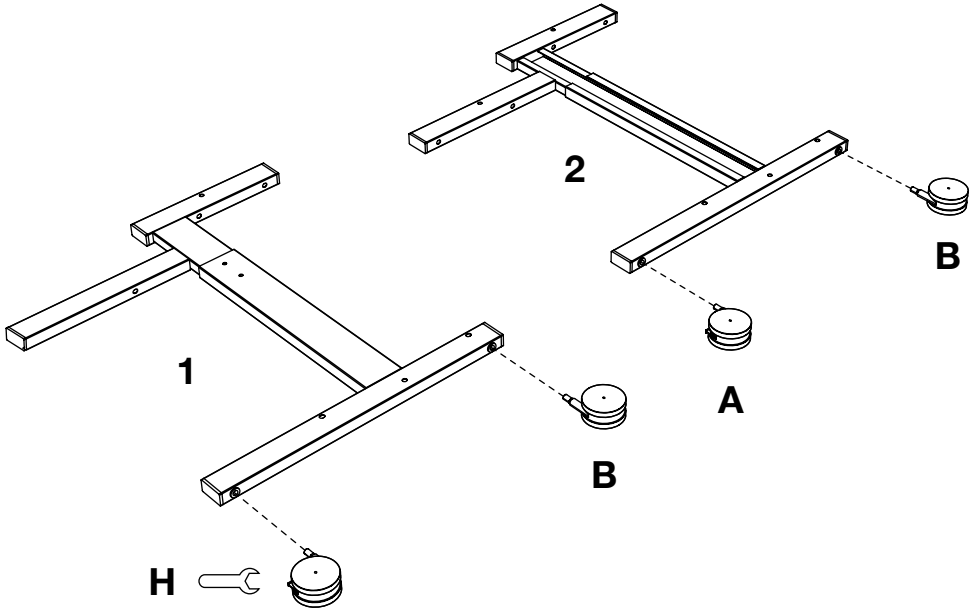
# Parts List



## Hardware (Actual Size)



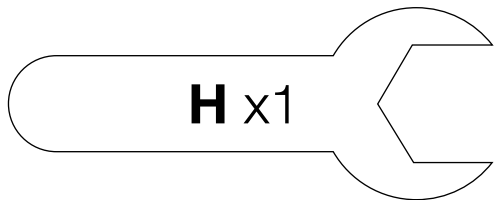
# 1 Attach casters to the frame



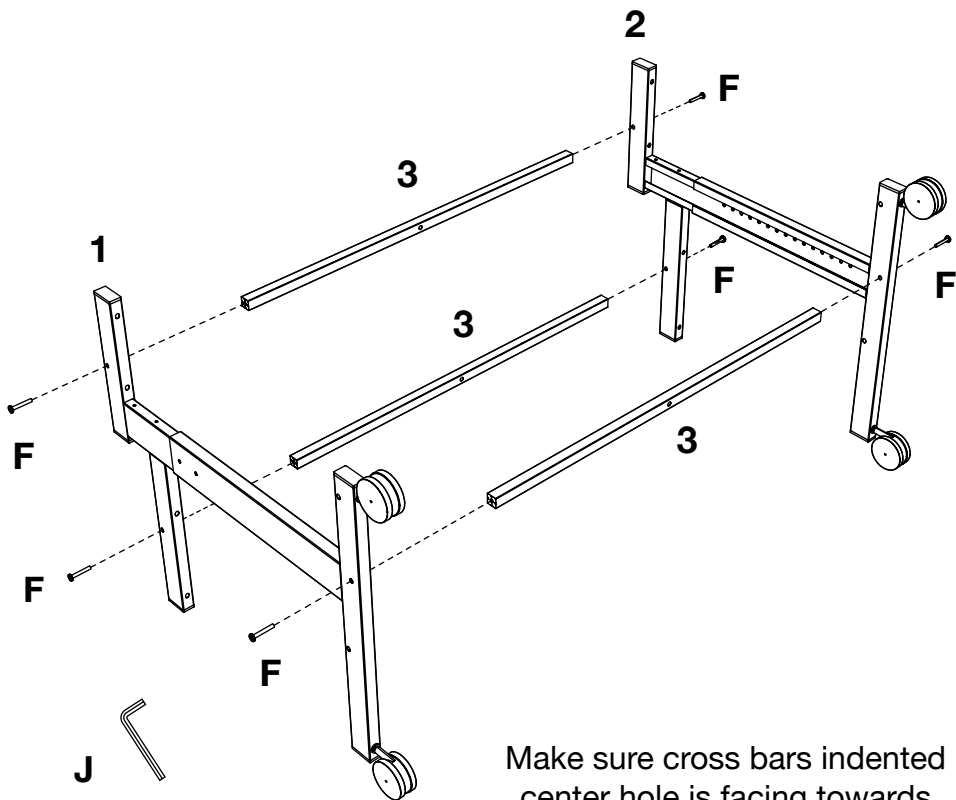
Tighten casters  
fully with included  
wrench **A**

**Gather Parts:**  
1, 2, A, B

**&**



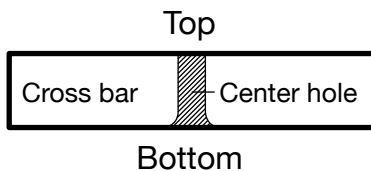
## 2 Attach shelf cross bars to the frame



Make sure cross bars indented center hole is facing towards the casters

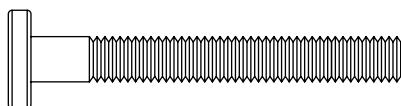


Assistance Recommended



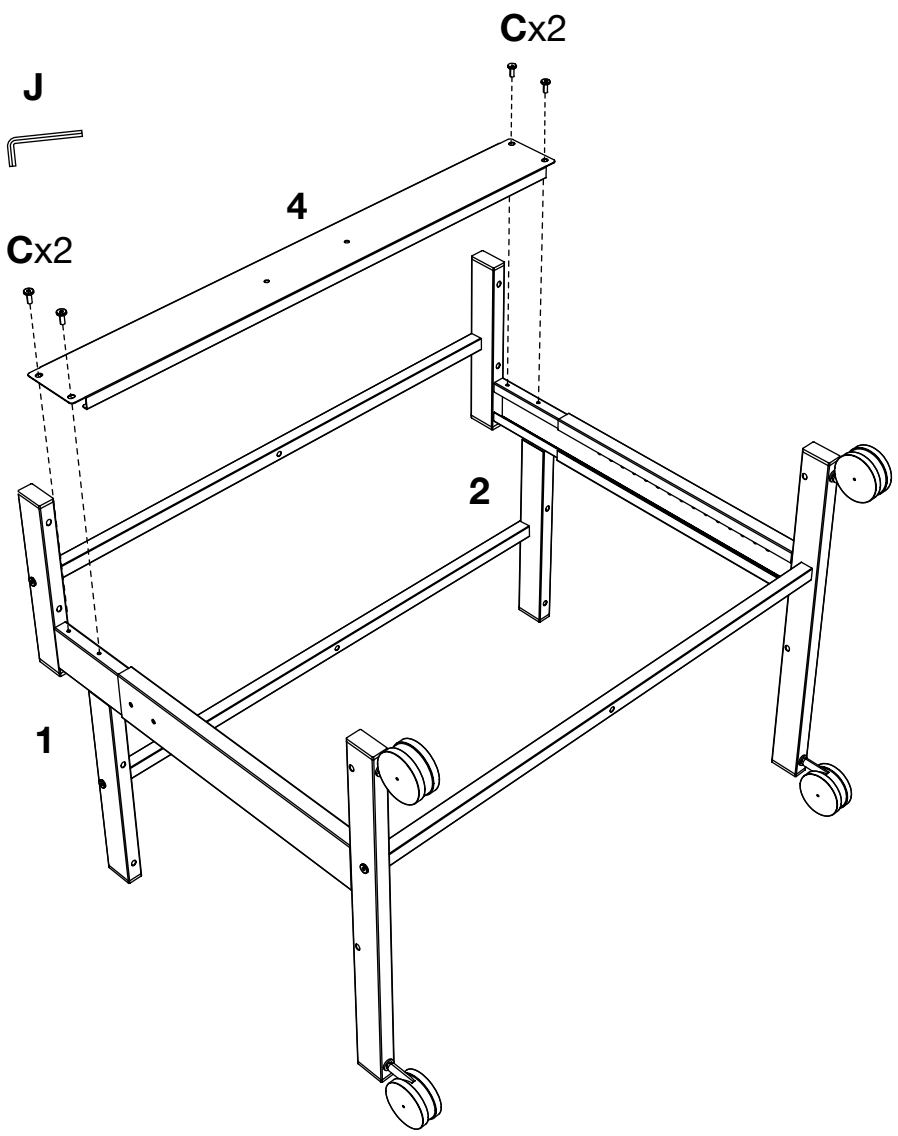
**Gather Parts:**  
3 (x3)

&



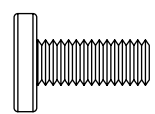
**F** x6  
M6x48

### 3 Attach cross bar to the frame



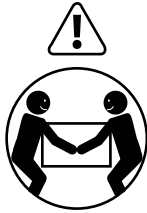
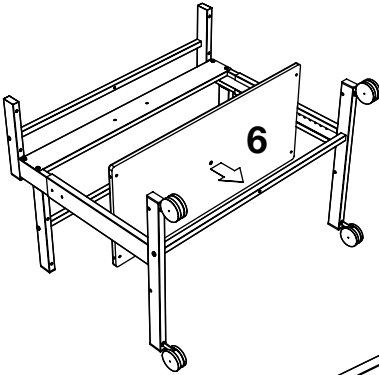
**Gather Parts:**  
4

**&**

  
**C** x4  
M6x15

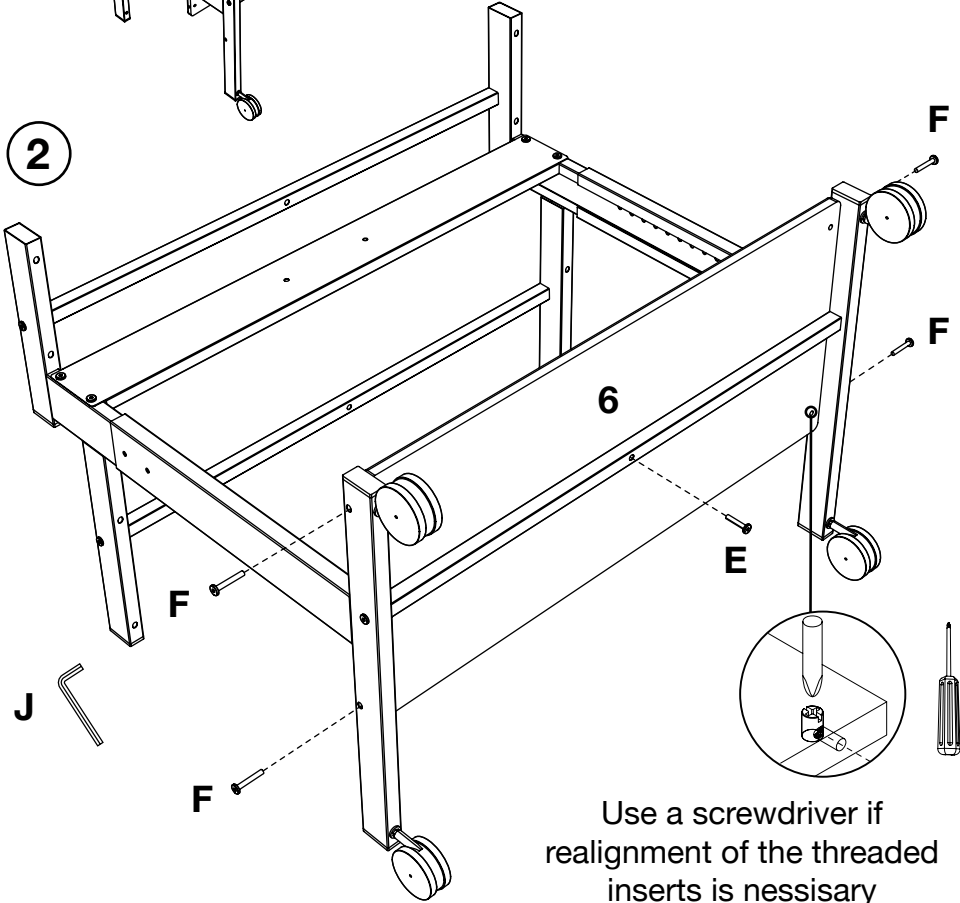
# 4 Attach lower shelf to the frame

1



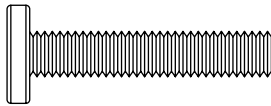
Assistance Recommended

2

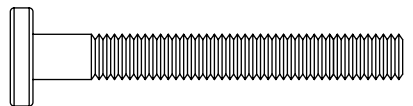


Use a screwdriver if realignment of the threaded inserts is necessary

Gather Parts:  
6



E x1  
M6x32



F x4  
M6x48

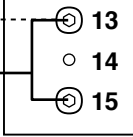
# 5

## Shelf height hole pattern guide

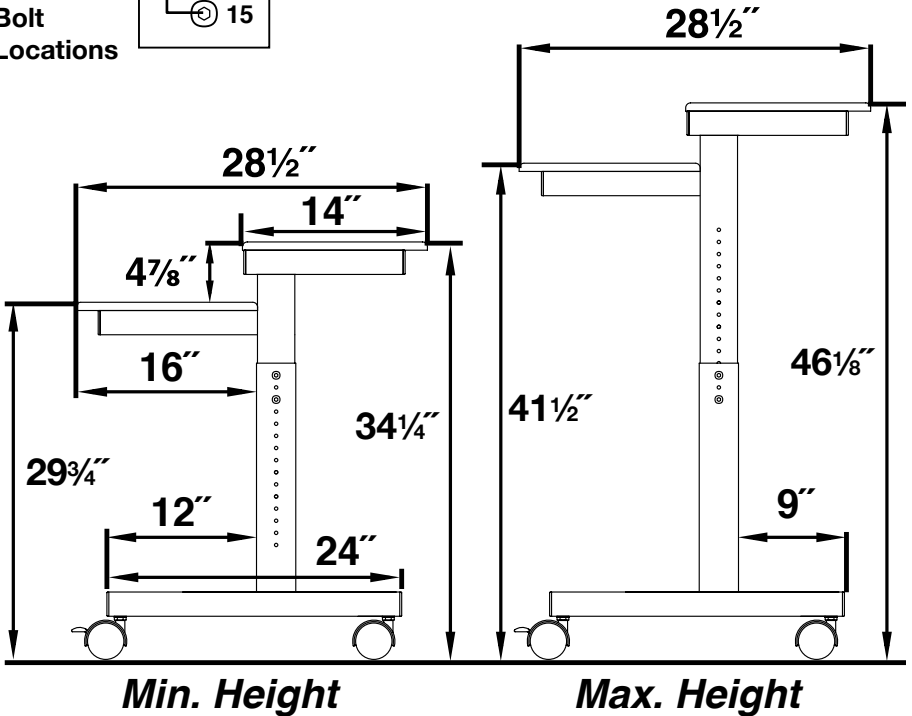
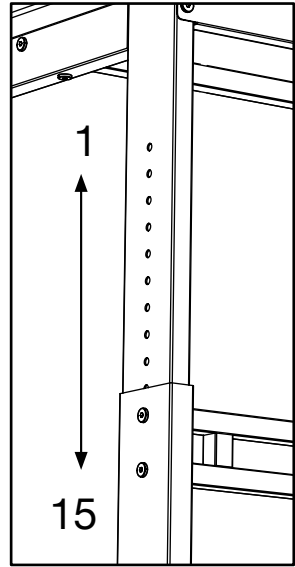
Keyboard Shelf Height      Top Shelf Height

29 <sup>3</sup> / <sub>4</sub> "	○ 1	34 <sup>1</sup> / <sub>4</sub> "
30 <sup>5</sup> / <sub>8</sub> "	○ 2	35 <sup>1</sup> / <sub>4</sub> "
31 <sup>5</sup> / <sub>8</sub> "	○ 3	36 <sup>1</sup> / <sub>4</sub> "
32 <sup>5</sup> / <sub>8</sub> "	○ 4	37 <sup>1</sup> / <sub>4</sub> "
33 <sup>5</sup> / <sub>8</sub> "	○ 5	38 <sup>1</sup> / <sub>4</sub> "
34 <sup>5</sup> / <sub>8</sub> "	○ 6	39 <sup>1</sup> / <sub>4</sub> "
35 <sup>5</sup> / <sub>8</sub> "	○ 7	40 <sup>1</sup> / <sub>4</sub> "
36 <sup>5</sup> / <sub>8</sub> "	○ 8	41 <sup>1</sup> / <sub>8</sub> "
37 <sup>1</sup> / <sub>2</sub> "	○ 9	42 <sup>1</sup> / <sub>8</sub> "
38 <sup>1</sup> / <sub>2</sub> "	○ 10	43 <sup>1</sup> / <sub>8</sub> "
39 <sup>1</sup> / <sub>2</sub> "	○ 11	44 <sup>1</sup> / <sub>8</sub> "
40 <sup>1</sup> / <sub>2</sub> "	○ 12	45 <sup>1</sup> / <sub>8</sub> "
41 <sup>1</sup> / <sub>2</sub> "	⊙ 13	46 <sup>1</sup> / <sub>8</sub> "

Crossbar Bolt Locations

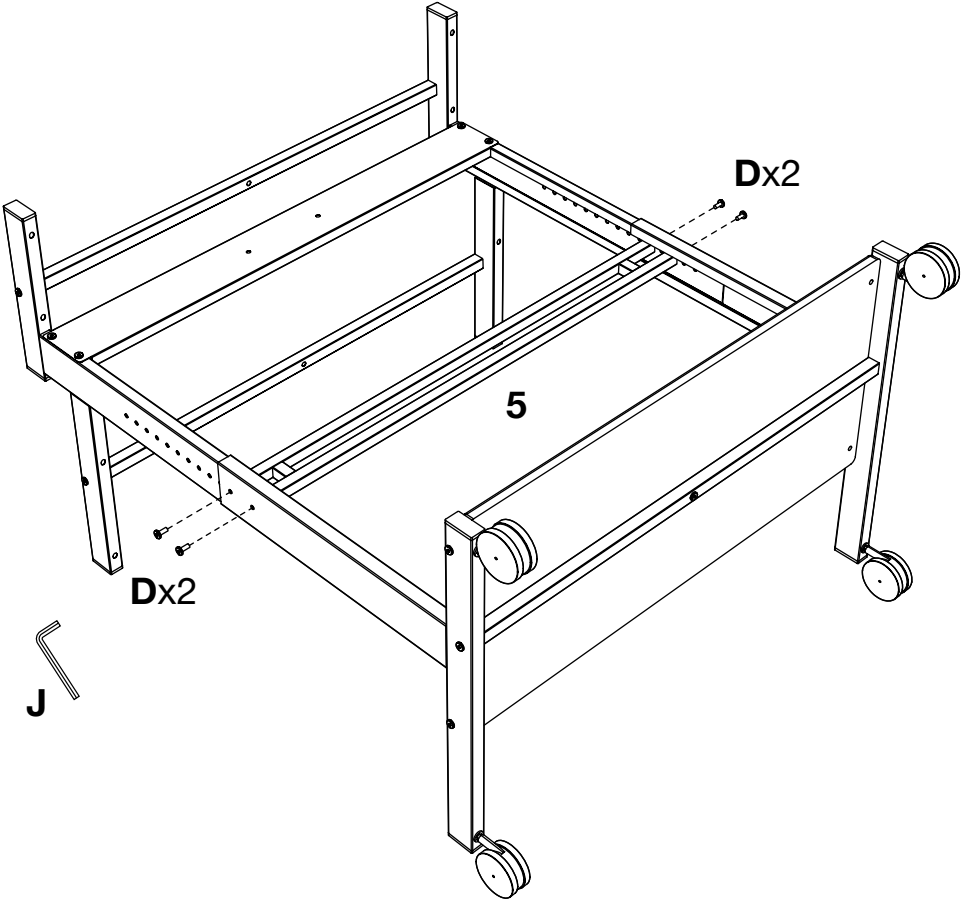


Hole Number



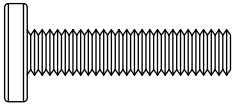


**6** Attach middle cross bar to the frame



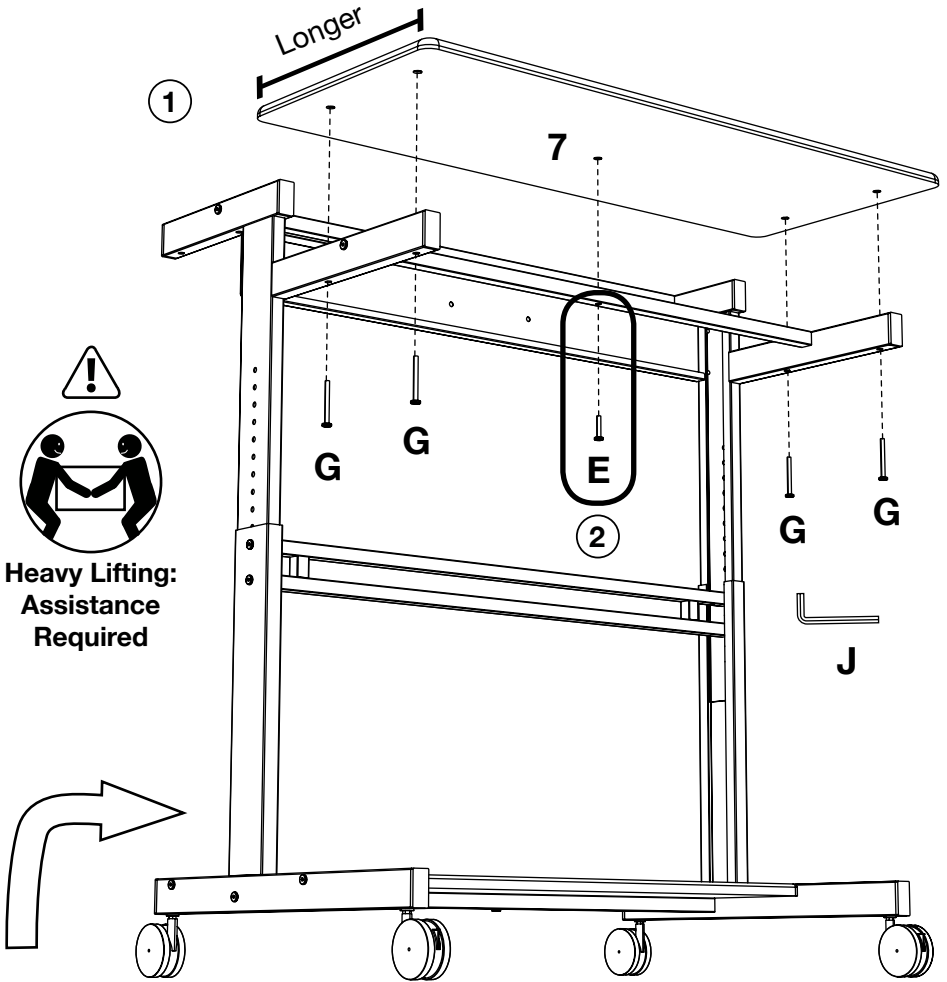
**Gather Parts:**  
5

**&**



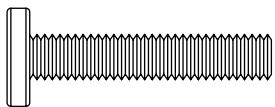
**D** x4  
M6x28

# 7 Flip upright then attach the keyboard shelf

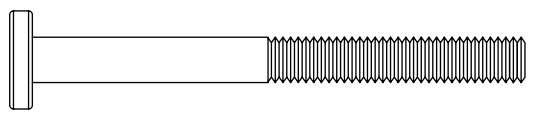


Gather Parts:  
7

&

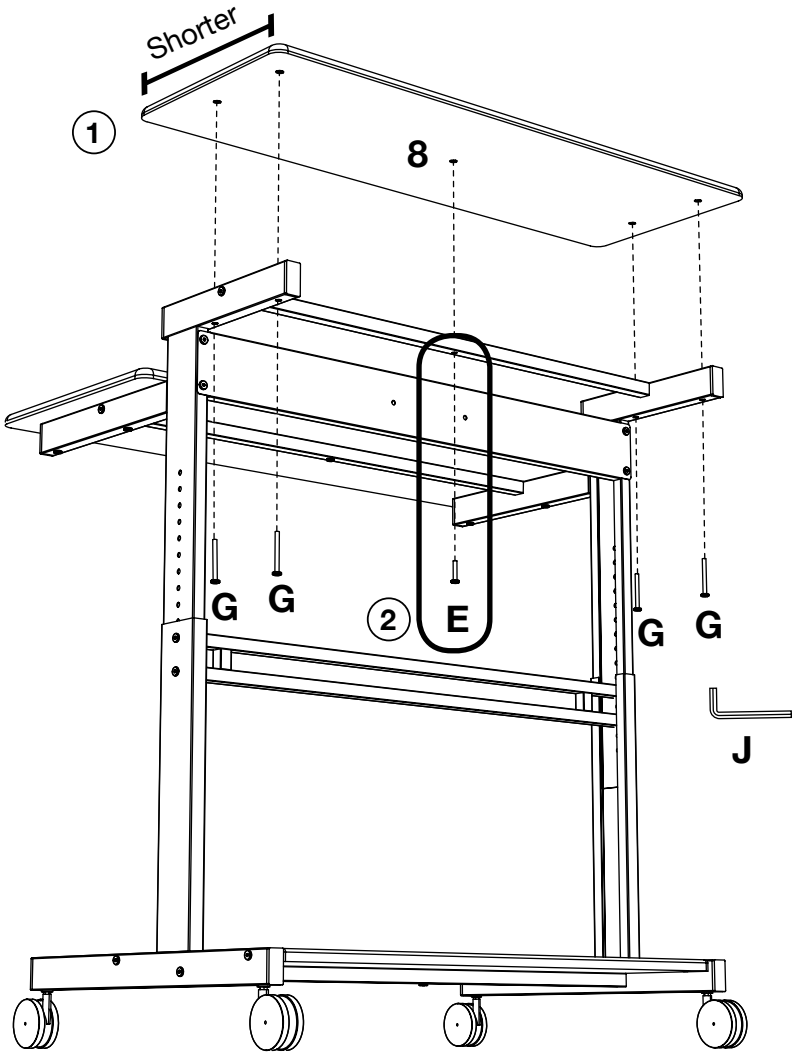


**E** x1  
M6x32



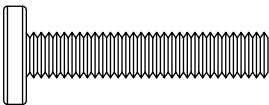
**G** x4  
M6x63

# 8 Attach the top monitor shelf

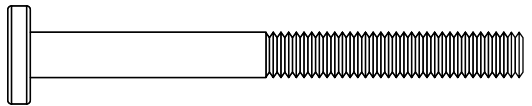


Gather Parts:  
8

&



**E** x1  
M6x32



**G** x4  
M6x63

**Questions or Feedback Call Us at:**

**855-843-7920**