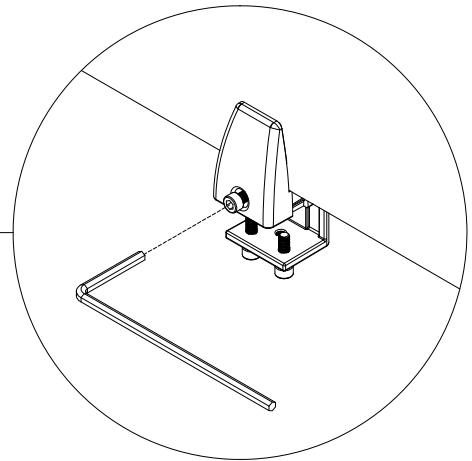
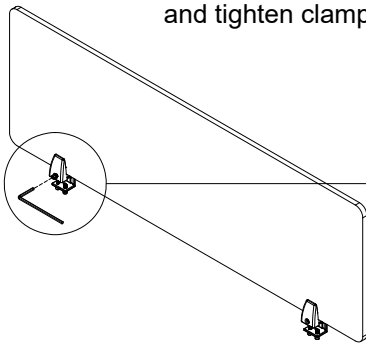


Place the desk panel into the clamp  
and tighten clamp using the provided tool.



Secure clamps to the desktop with  
4 screws using the provided tool.

