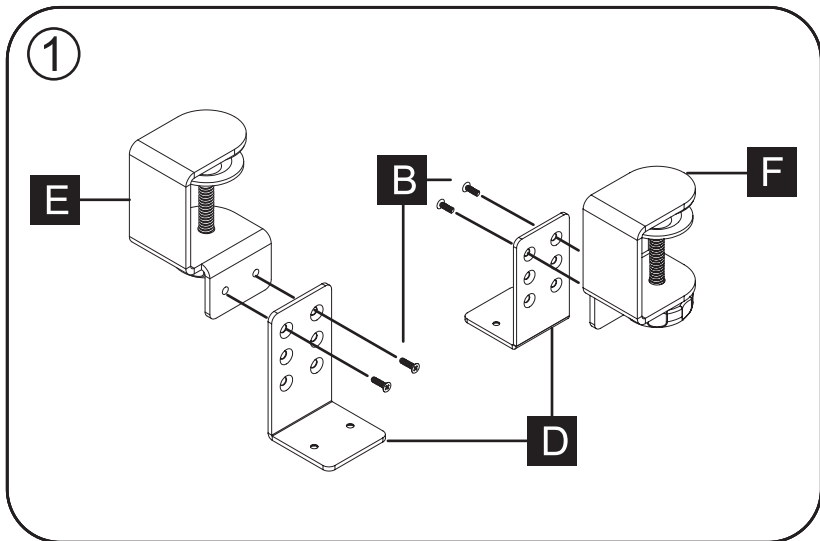
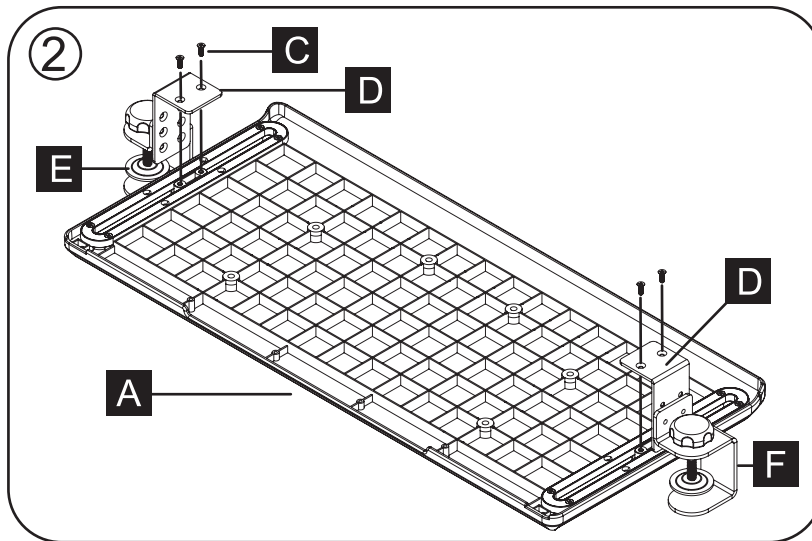


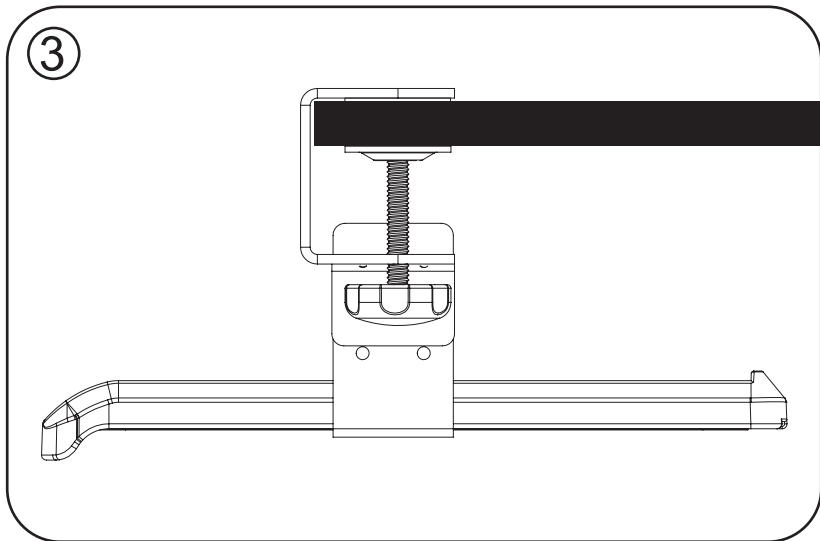
How to use



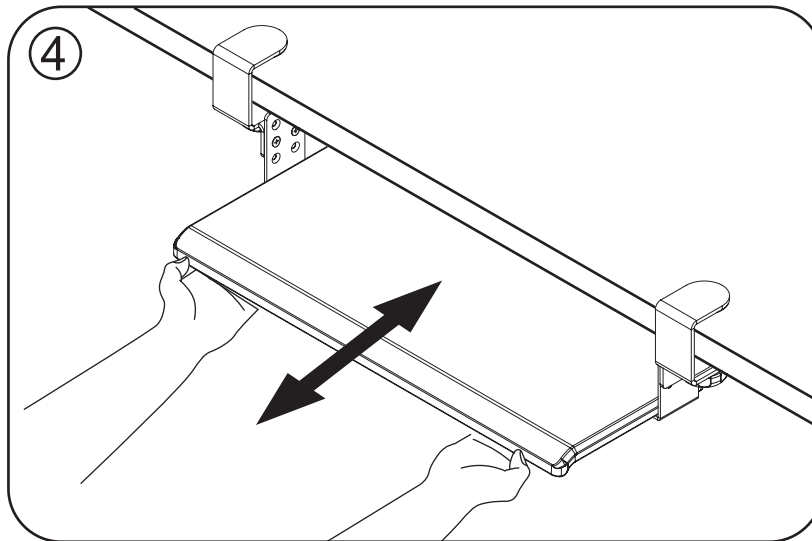
Attach C-clamp to the L shaped parts using the screws **B** provided at desired height



Attach the 2 C-clamps using the screws **C** provided.



Turn the knobs on the C-clamps to secure the keyboard tray to your desk.



Adjust keyboard tray with your hands.

