







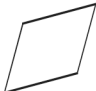
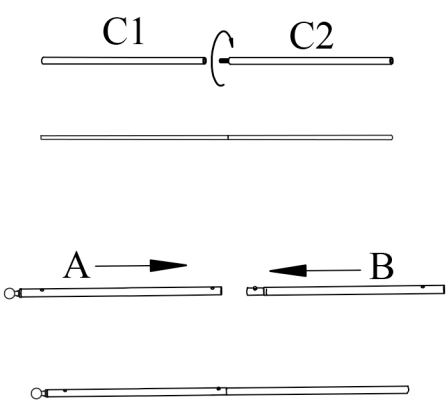
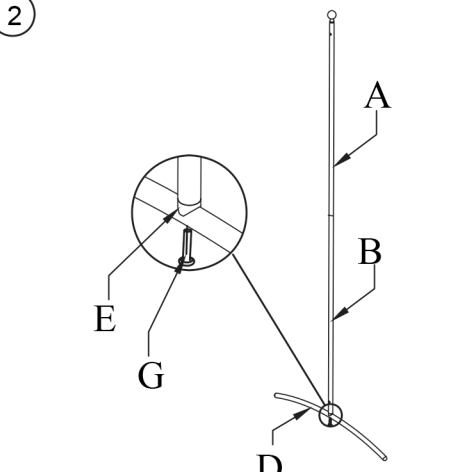


| | | |
|----|--|------|
| A |  | 2PCS |
| B |  | 2PCS |
| C1 |  | 2PCS |
| C2 |  | 2PCS |
| D |  | 2PCS |
| E |  | 2PCS |
| F |  | 4PCS |
| G |  | 6PCS |
| H |  | 1PC |

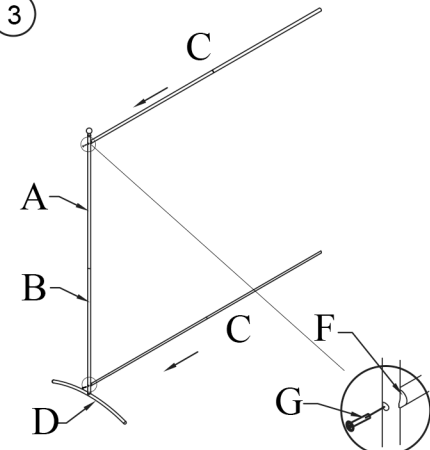
①



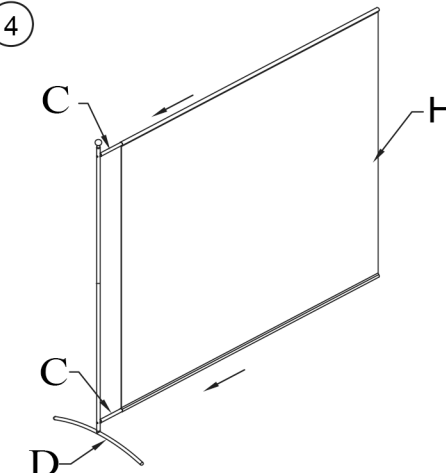
②



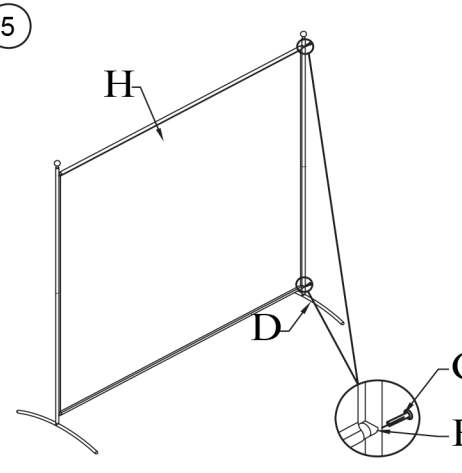
③



④



⑤



⑥

