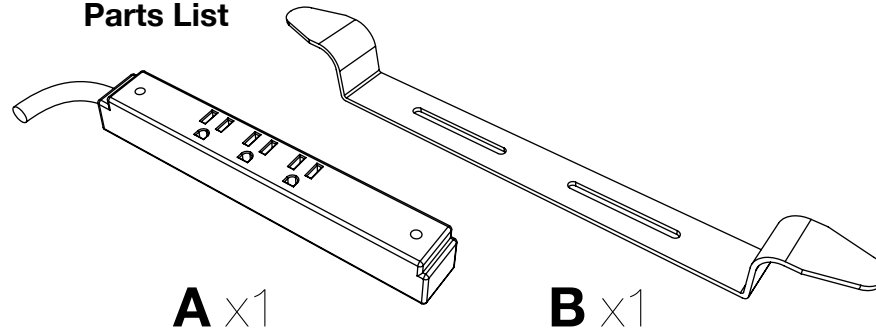




STAND UP desk store

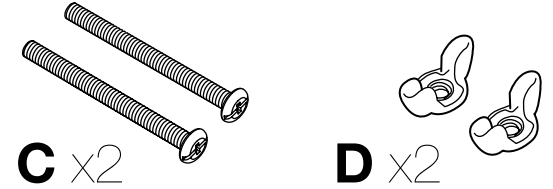
A better desk for a better you

Parts List



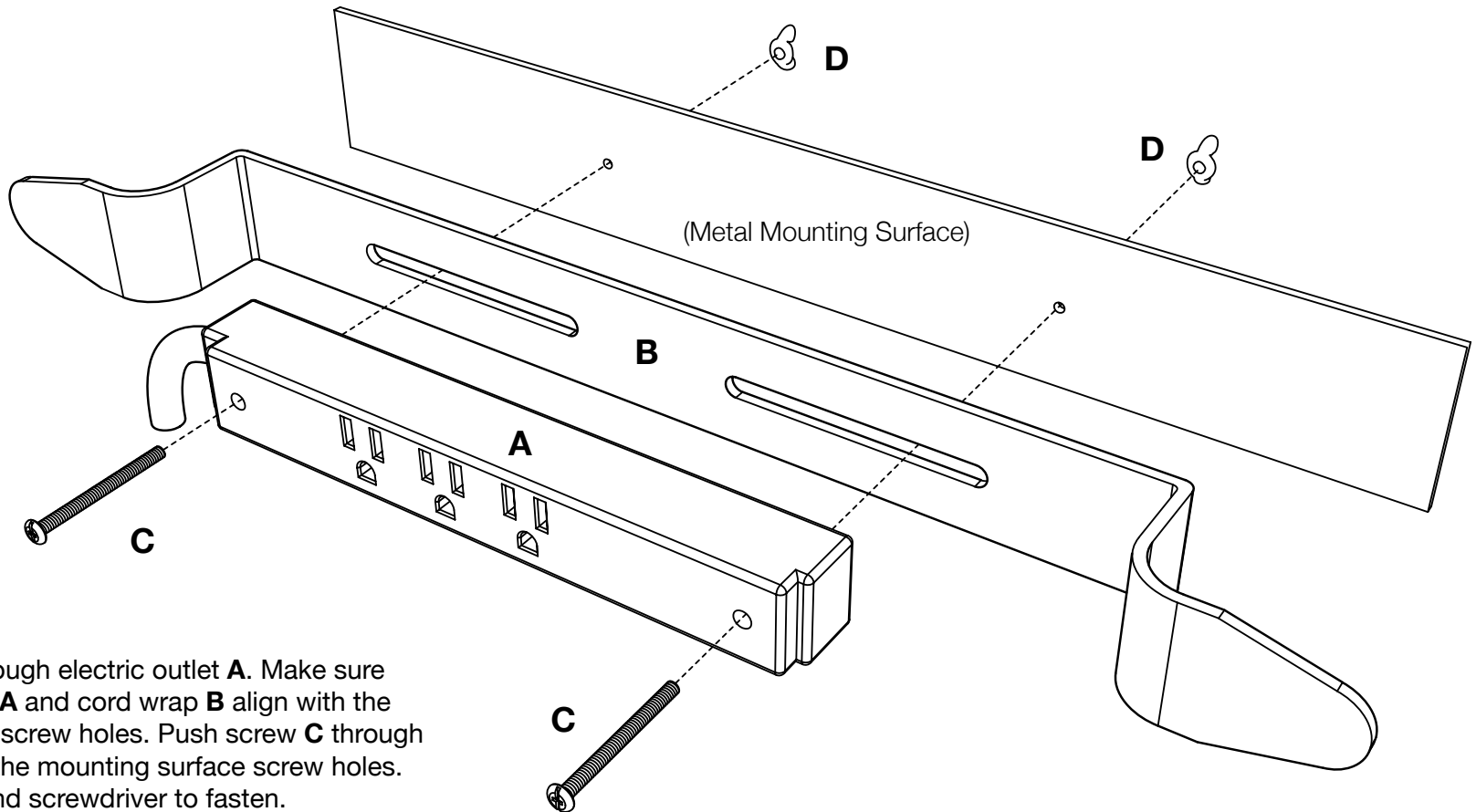
Tools Required

- Screwdriver



Electric Assembly Instructions

Number of outlets
may vary.



1

Push screw **C** through electric outlet **A**. Make sure the electric outlet **A** and cord wrap **B** align with the mounting surface screw holes. Push screw **C** through cord wrap **B** and the mounting surface screw holes. Use wing nut **D** and screwdriver to fasten.