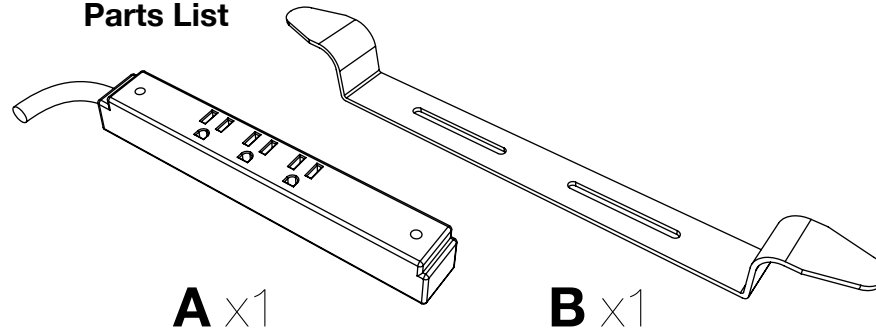




# STAND UP desk store

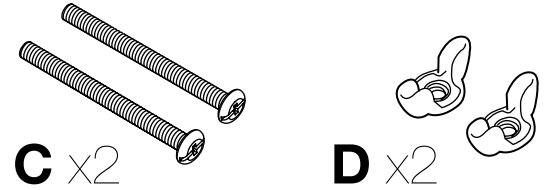
A better desk for a better you

## Parts List



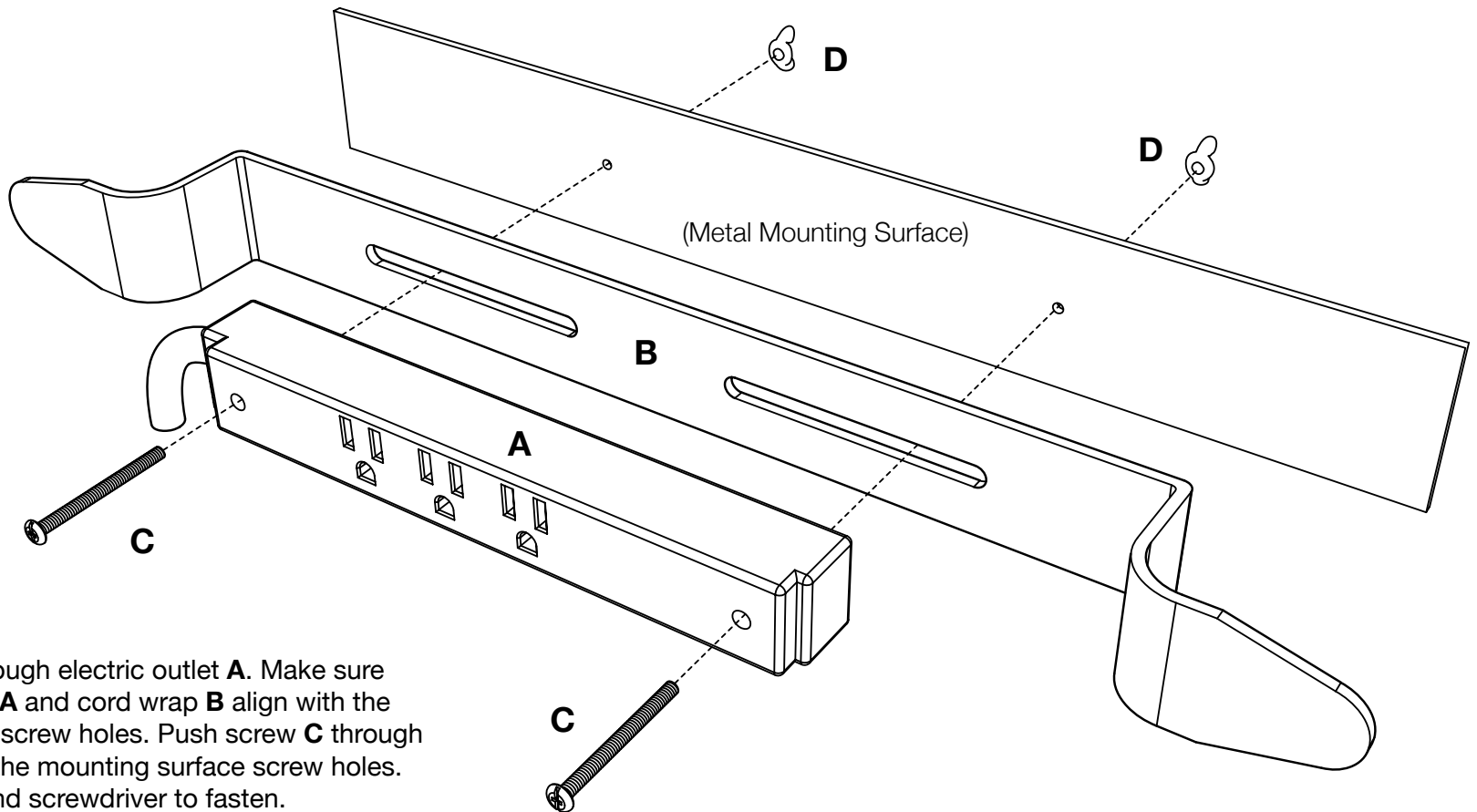
## Tools Required

- Screwdriver



## Electric Assembly Instructions

Number of outlets  
may vary.



**1**

Push screw **C** through electric outlet **A**. Make sure the electric outlet **A** and cord wrap **B** align with the mounting surface screw holes. Push screw **C** through cord wrap **B** and the mounting surface screw holes. Use wing nut **D** and screwdriver to fasten.