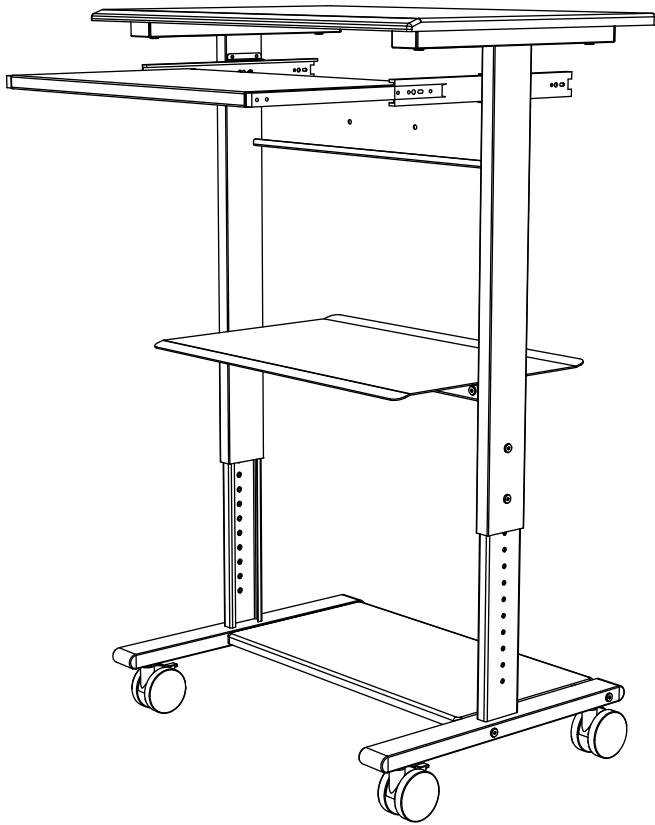


# Mobile Adjustable Height Sit to Stand Presentation Station



Keyboard Shelf Height		Top Shelf Height
41 <sup>3</sup> / <sub>4</sub> "	-----○ 1	45 <sup>1</sup> / <sub>2</sub> "
40 <sup>3</sup> / <sub>4</sub> "	-----○ 2	44 <sup>1</sup> / <sub>2</sub> "
39 <sup>3</sup> / <sub>4</sub> "	-----○ 3	43 <sup>1</sup> / <sub>2</sub> "
38 <sup>3</sup> / <sub>4</sub> "	-----○ 4	42 <sup>1</sup> / <sub>2</sub> "
37 <sup>3</sup> / <sub>4</sub> "	-----○ 5	41 <sup>1</sup> / <sub>2</sub> "
36 <sup>3</sup> / <sub>4</sub> "	-----○ 6	40 <sup>1</sup> / <sub>2</sub> "
35 <sup>3</sup> / <sub>4</sub> "	-----○ 7	39 <sup>1</sup> / <sub>2</sub> "
34 <sup>3</sup> / <sub>4</sub> "	-----○ 8	38 <sup>1</sup> / <sub>2</sub> "
33 <sup>3</sup> / <sub>4</sub> "	-----○ 9	37 <sup>1</sup> / <sub>2</sub> "
32 <sup>3</sup> / <sub>4</sub> "	-----○ 10	36 <sup>1</sup> / <sub>2</sub> "
31 <sup>3</sup> / <sub>4</sub> "	-----○ 11	35 <sup>1</sup> / <sub>2</sub> "
30 <sup>3</sup> / <sub>4</sub> "	-----⊕ 12	34 <sup>1</sup> / <sub>2</sub> "
	○ 13	
	○ 14	
	⊕ 15	

**Bolt Locations**

