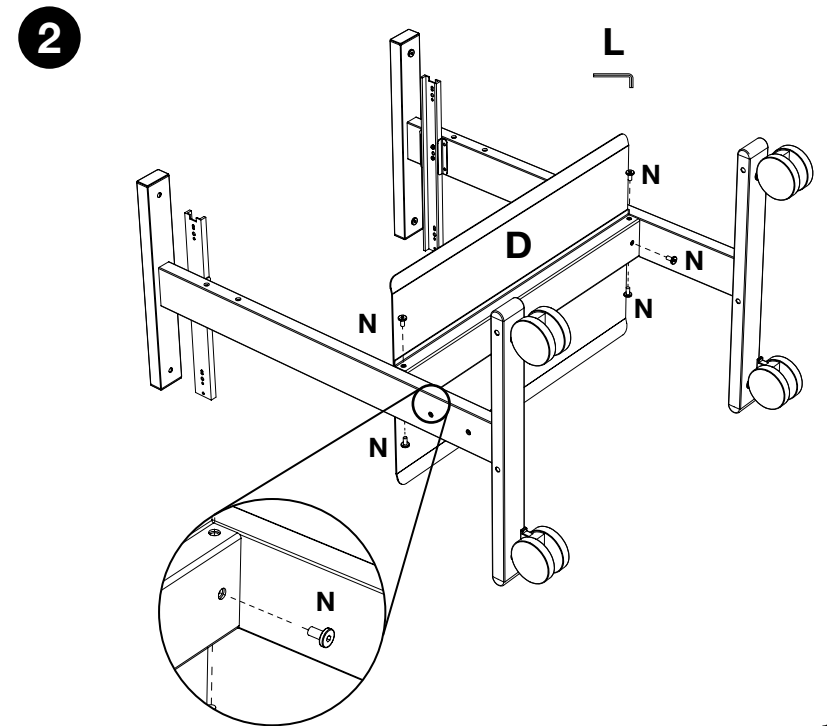
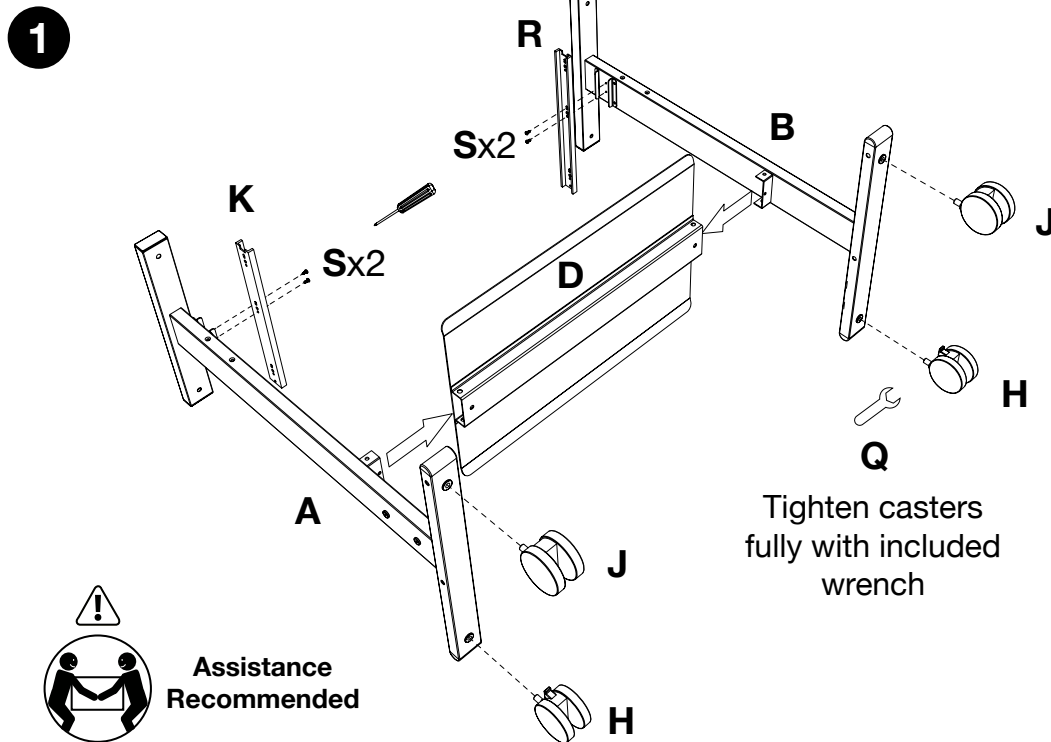
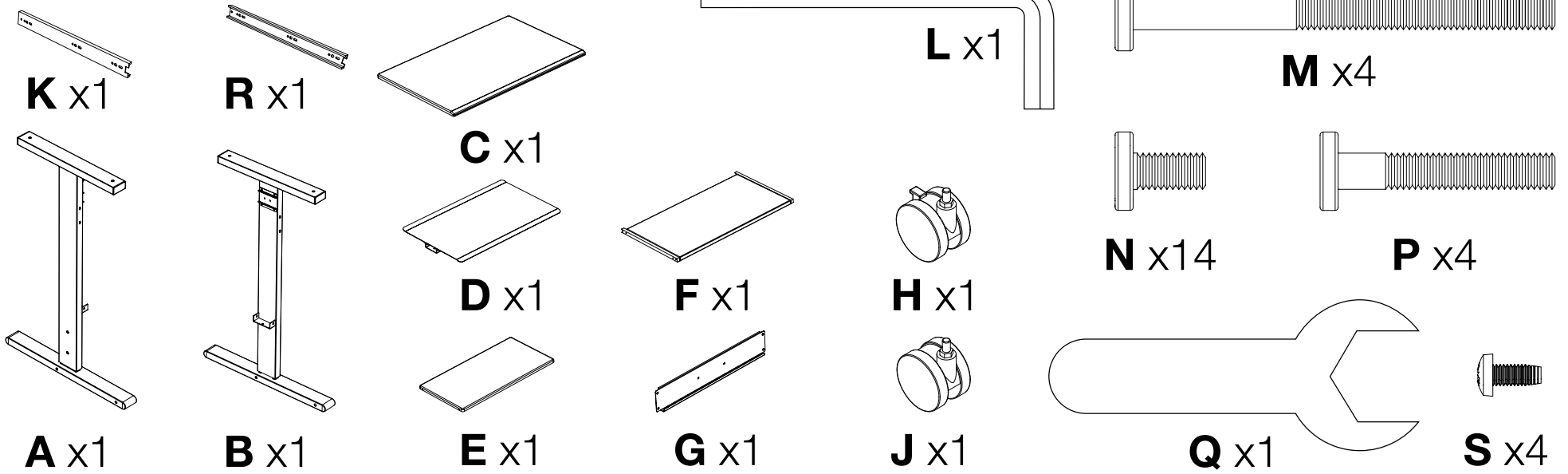


# Adjustable Height Workstation Instructions

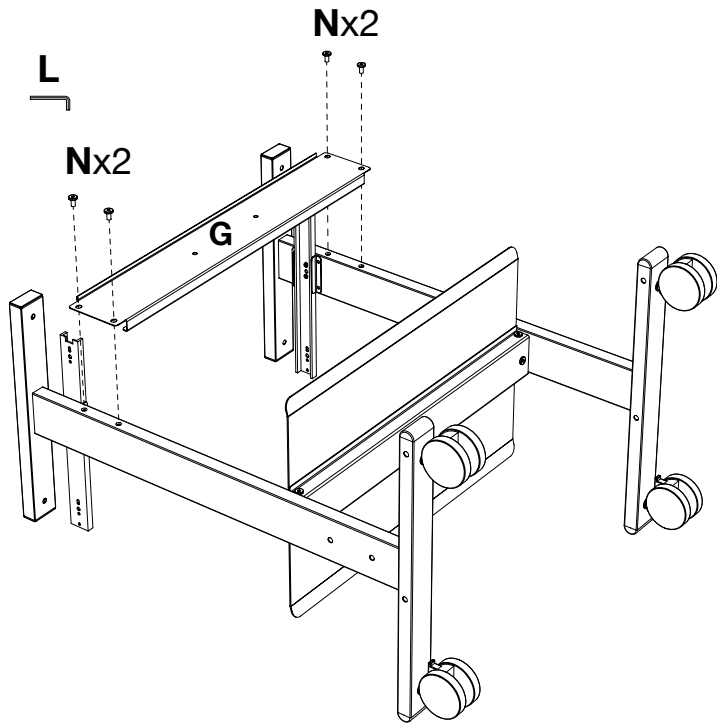
## Parts List

Tools Required: Phillips Screwdriver

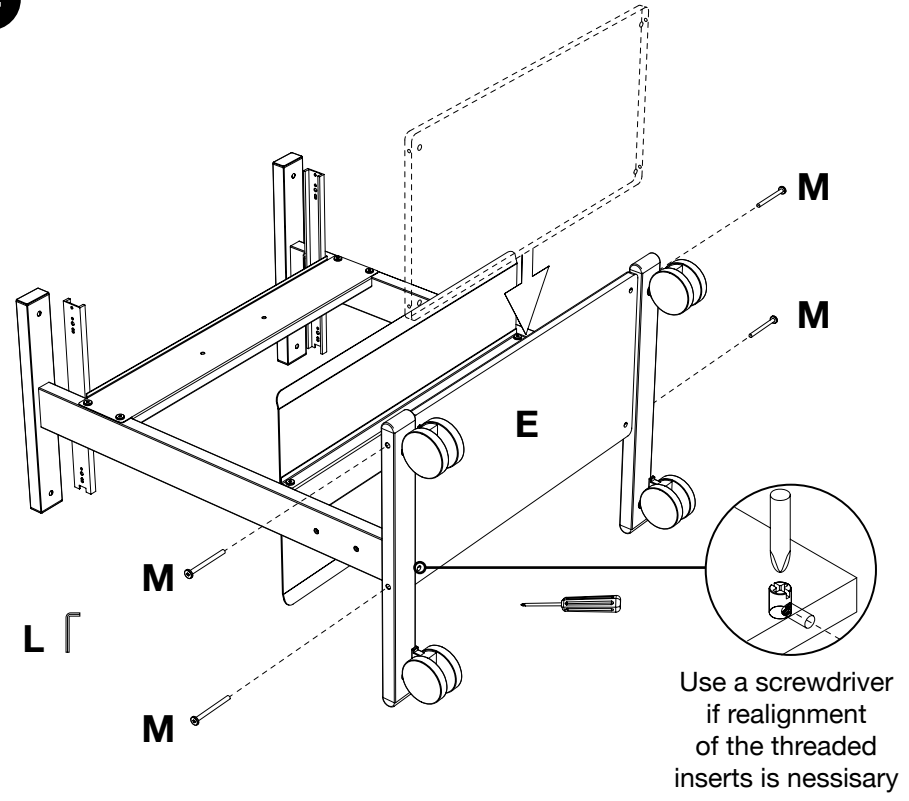
01/06/15



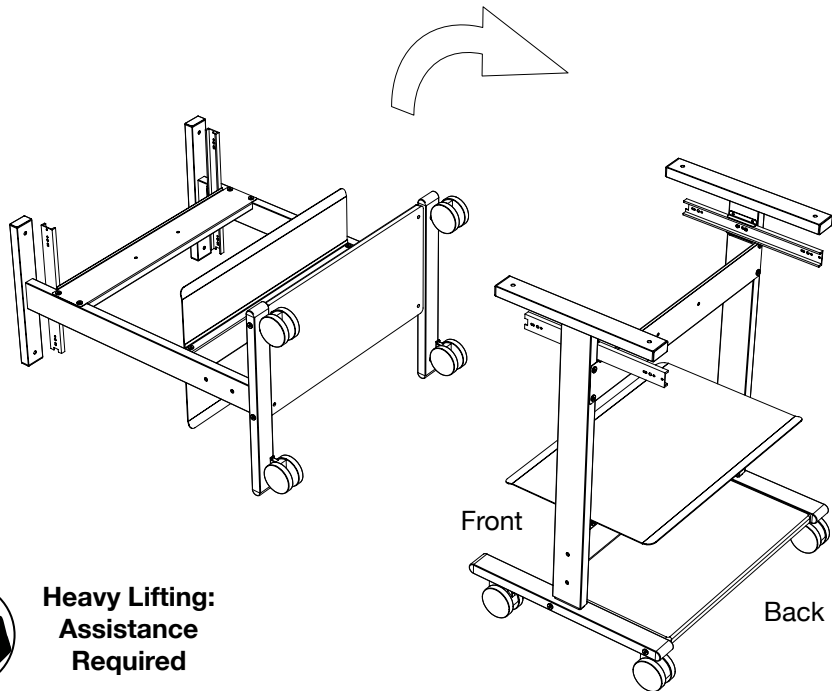
3



4

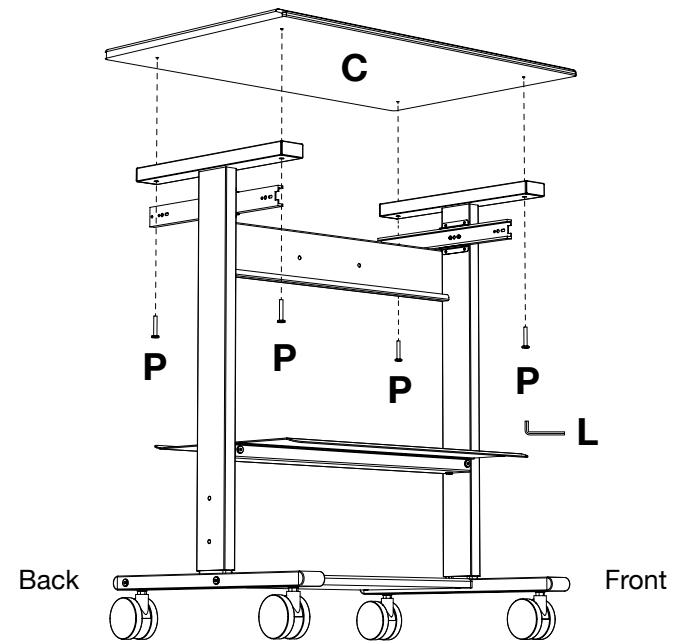


5

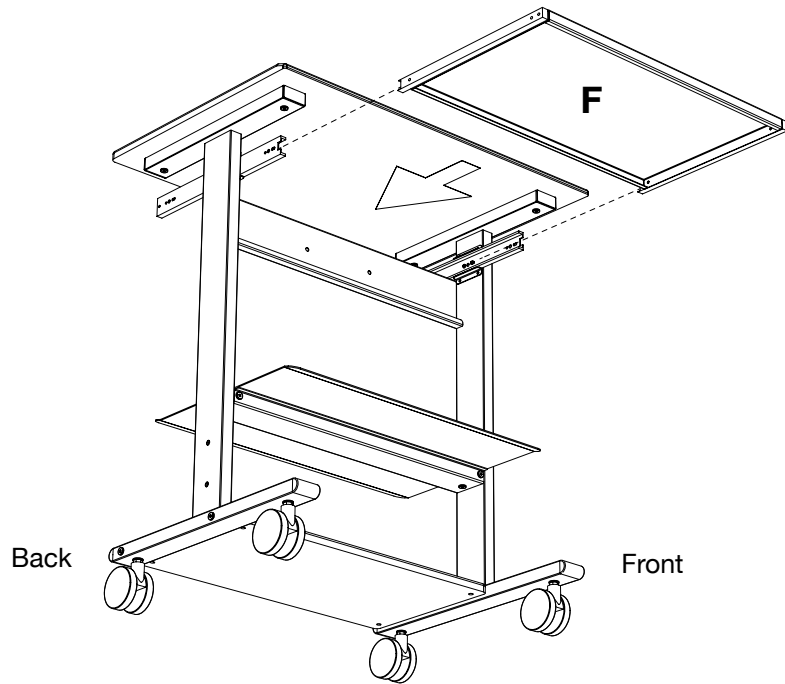


Heavy Lifting:  
Assistance  
Required

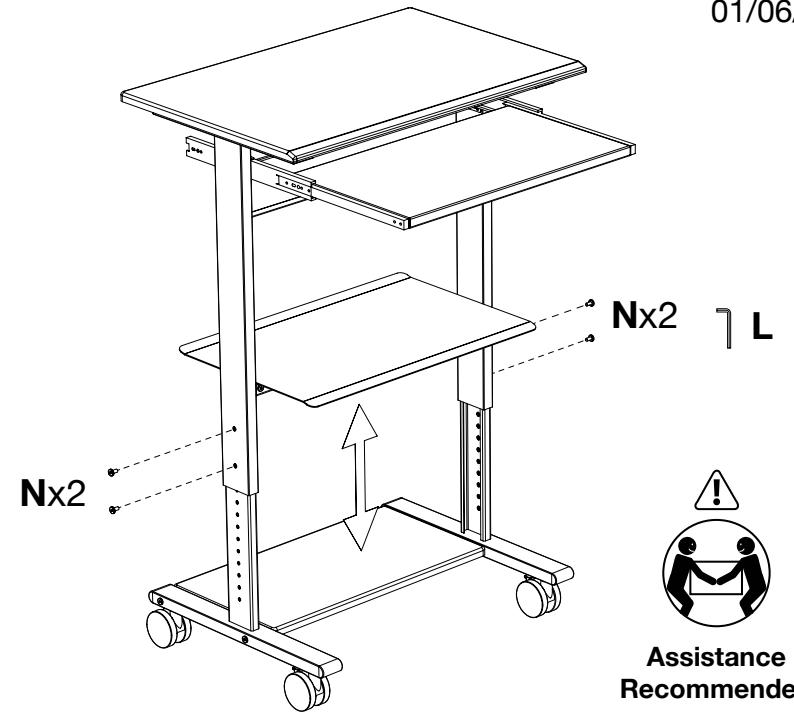
6



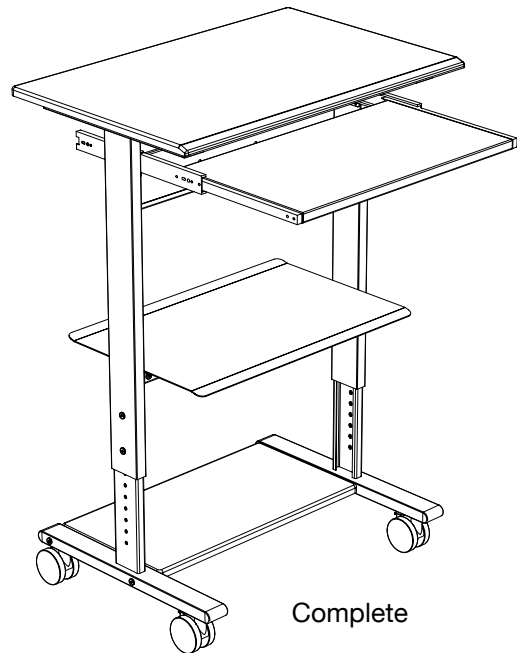
7



8



9



Keyboard Shelf Height		Top Shelf Height
41 <sup>3</sup> / <sub>4</sub> "	○ 1	45 <sup>3</sup> / <sub>8</sub> "
40 <sup>3</sup> / <sub>4</sub> "	○ 2	44 <sup>3</sup> / <sub>8</sub> "
39 <sup>3</sup> / <sub>4</sub> "	○ 3	43 <sup>3</sup> / <sub>8</sub> "
38 <sup>3</sup> / <sub>4</sub> "	○ 4	42 <sup>3</sup> / <sub>8</sub> "
37 <sup>3</sup> / <sub>4</sub> "	○ 5	41 <sup>3</sup> / <sub>8</sub> "
36 <sup>3</sup> / <sub>4</sub> "	○ 6	40 <sup>3</sup> / <sub>8</sub> "
35 <sup>3</sup> / <sub>4</sub> "	○ 7	39 <sup>3</sup> / <sub>8</sub> "
34 <sup>3</sup> / <sub>4</sub> "	○ 8	38 <sup>3</sup> / <sub>8</sub> "
33 <sup>3</sup> / <sub>4</sub> "	○ 9	37 <sup>3</sup> / <sub>8</sub> "
32 <sup>3</sup> / <sub>4</sub> "	○ 10	36 <sup>3</sup> / <sub>8</sub> "
31 <sup>3</sup> / <sub>4</sub> "	○ 11	35 <sup>3</sup> / <sub>8</sub> "
30 <sup>3</sup> / <sub>4</sub> "	⊙ 12	34 <sup>3</sup> / <sub>8</sub> "
	○ 13	
	○ 14	
	⊙ 15	

**Bolt Locations**